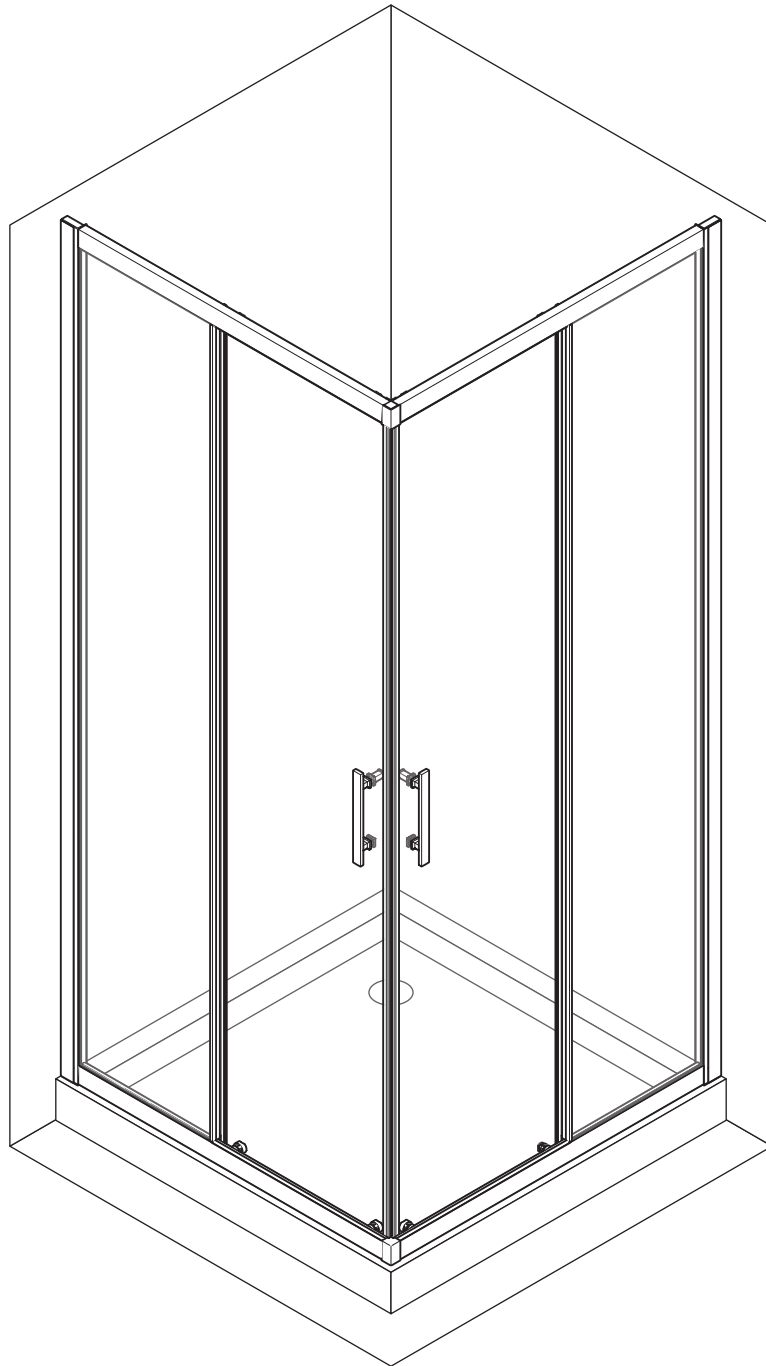
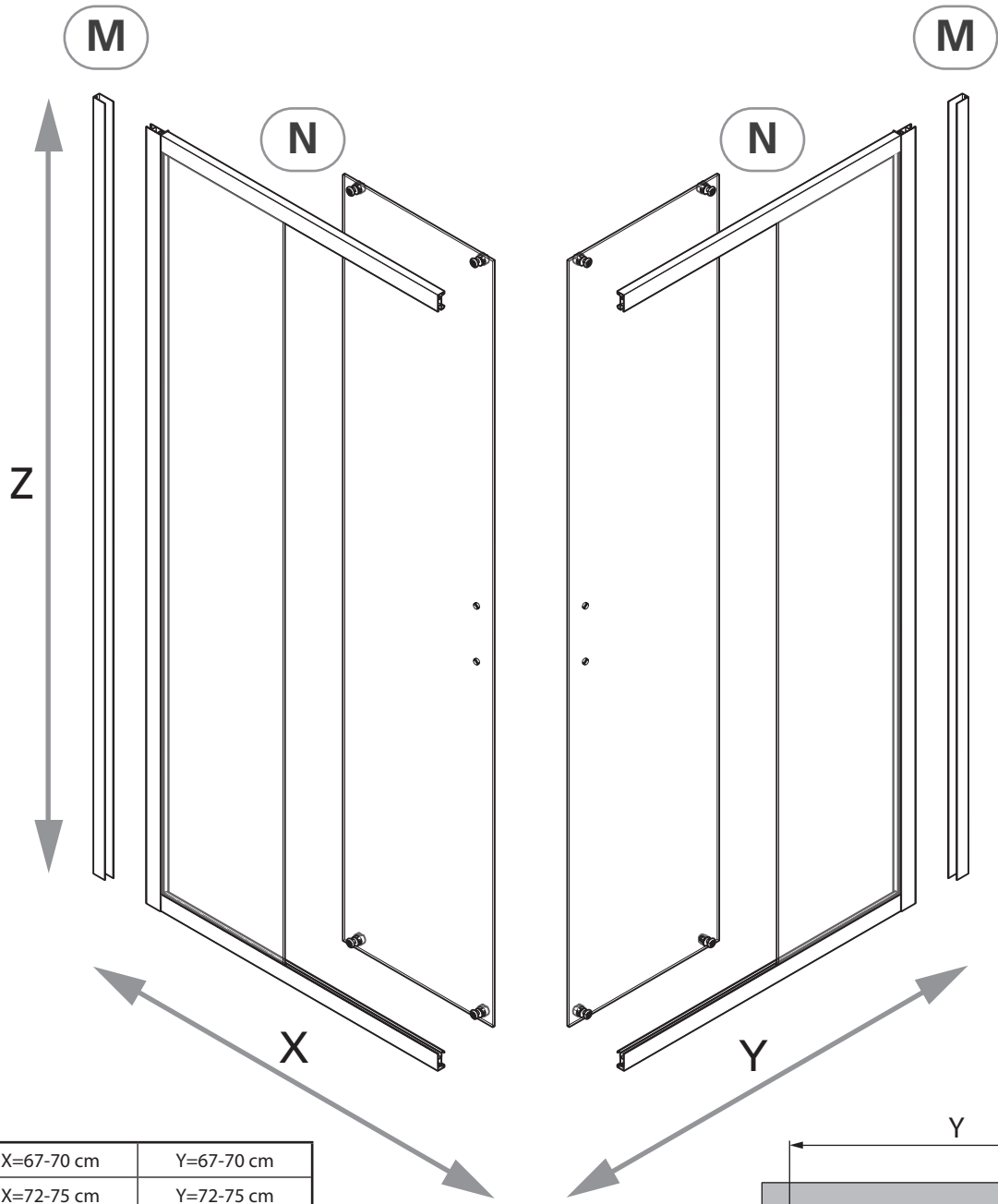


ZEPHYROS

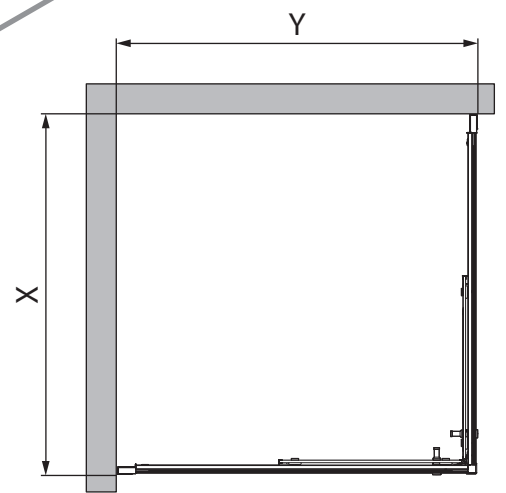
A



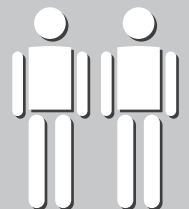
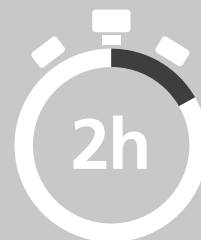
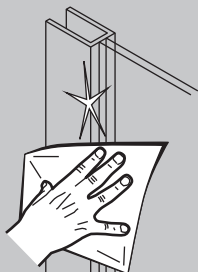
<hr/> <hr/> <hr/> <hr/>	<hr/> <hr/> <hr/> <hr/>
-------------------------	-------------------------

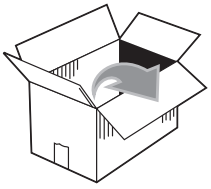


A68	X=67-70 cm	Y=67-70 cm
A73	X=72-75 cm	Y=72-75 cm
A75	X=74-77 cm	Y=74-77 cm
A78	X=77-80 cm	Y=77-80 cm
A83	X=82-85 cm	Y=82-85 cm
A88	X=87-90 cm	Y=87-90 cm
A93	X=92-95 cm	Y=92-95 cm
A98	X=97-100 cm	Y=97-100 cm
A102	X=102-105 cm	Y=102-105 cm
A107	X=107-110 cm	Y=107-110 cm
A112	X=112-115 cm	Y=112-115 cm
A118	X=117-120 cm	Y=117-120 cm

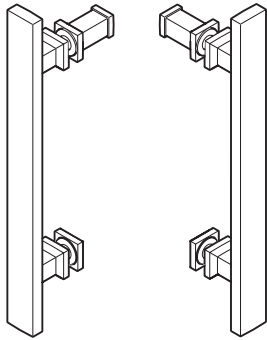


**CLEANIT
OR
WATER ONLY**

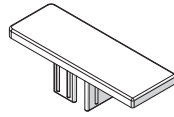




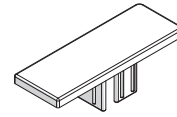
B1



B2

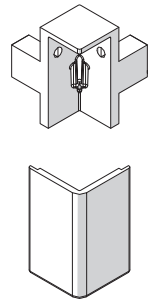


B3



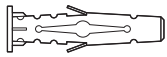
B5

x2



C1

x4



C2

x4



4X35 mm

C3

x4



3,5x25 mm

C5

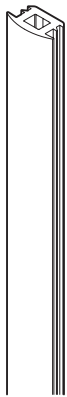
x4



3,5x9,5 mm

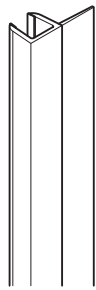
D1

x4

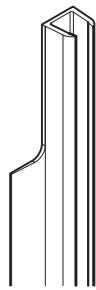


D2

h 1862 mm
x2

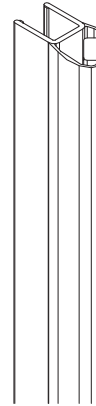


h 1924 mm
x2



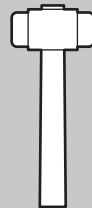
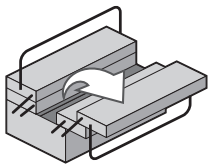
D3

x2



C6

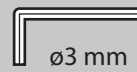
x4



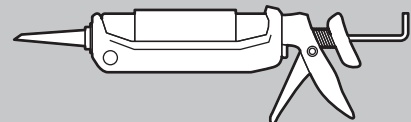
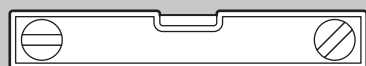
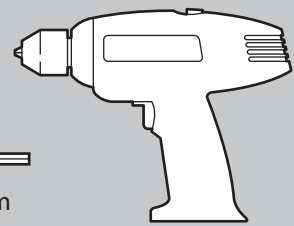
ø6 mm



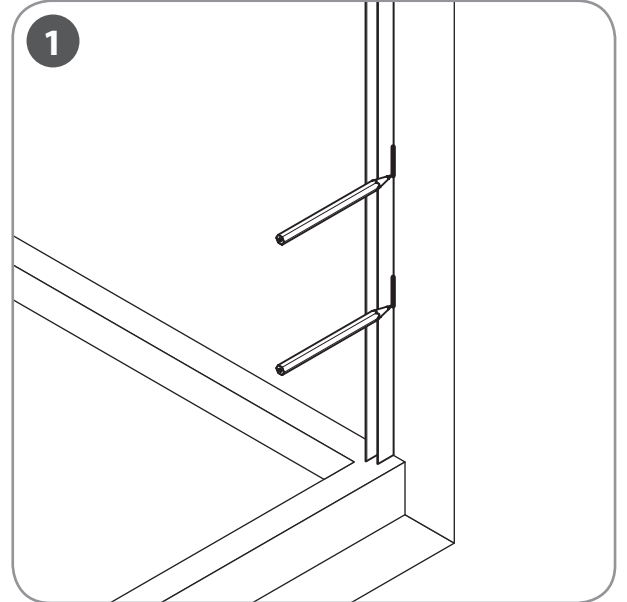
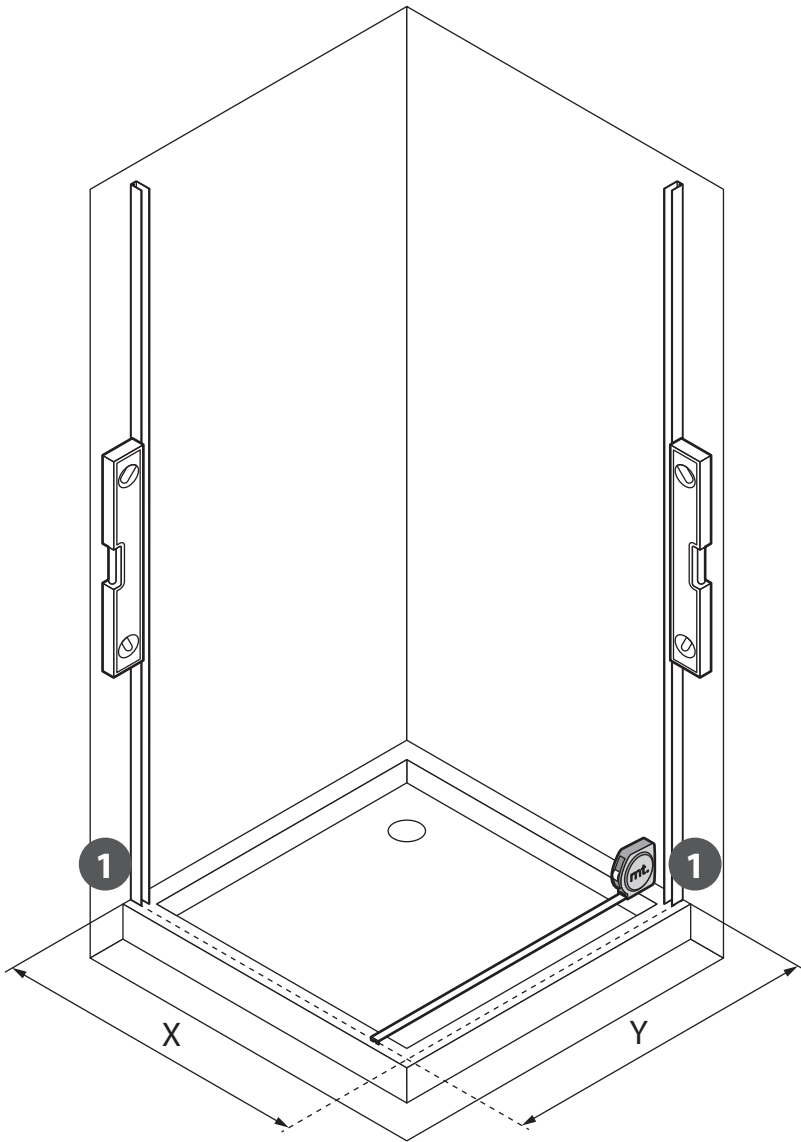
ø3 mm



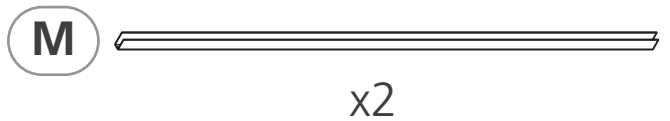
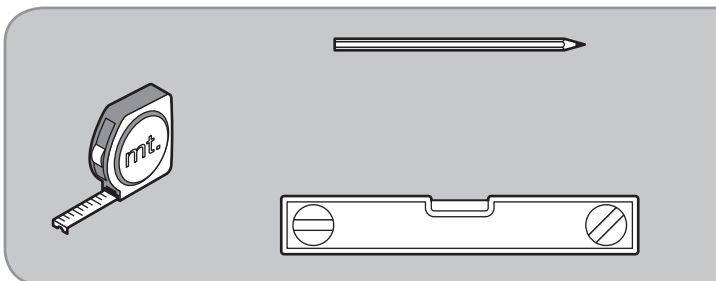
ø3 mm

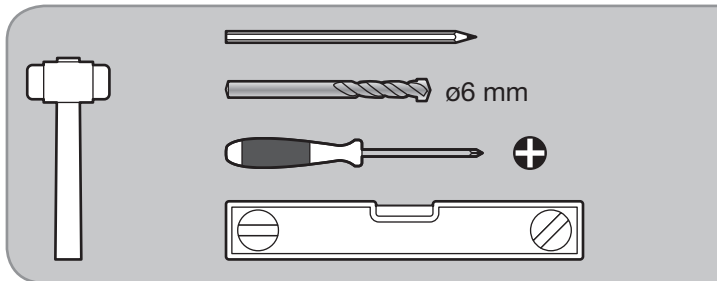
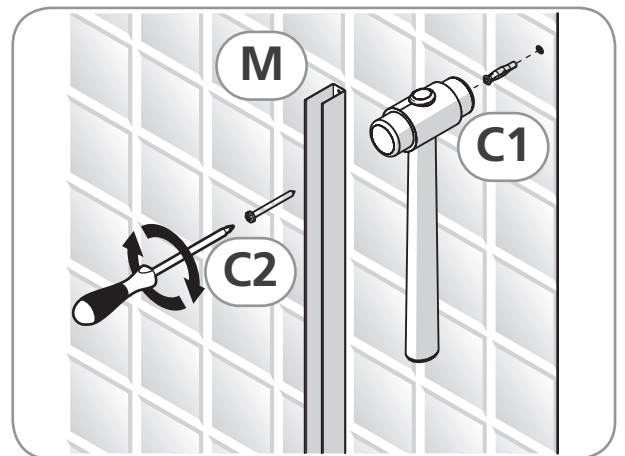
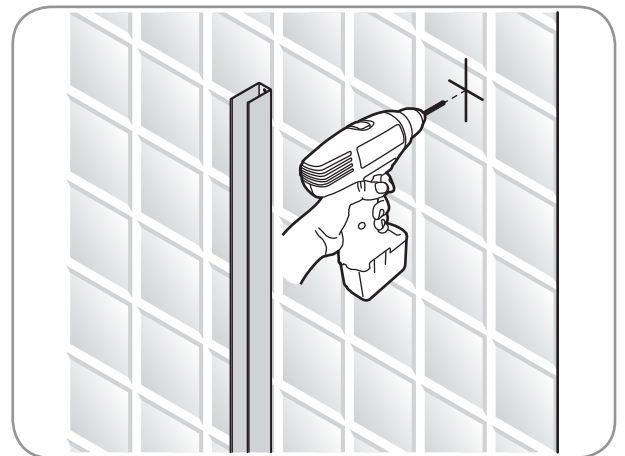
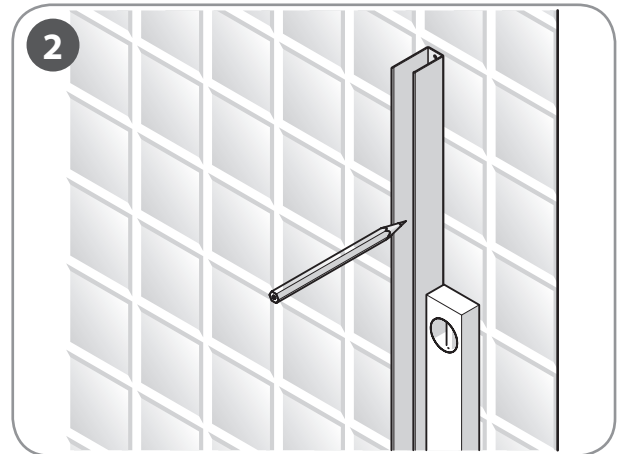
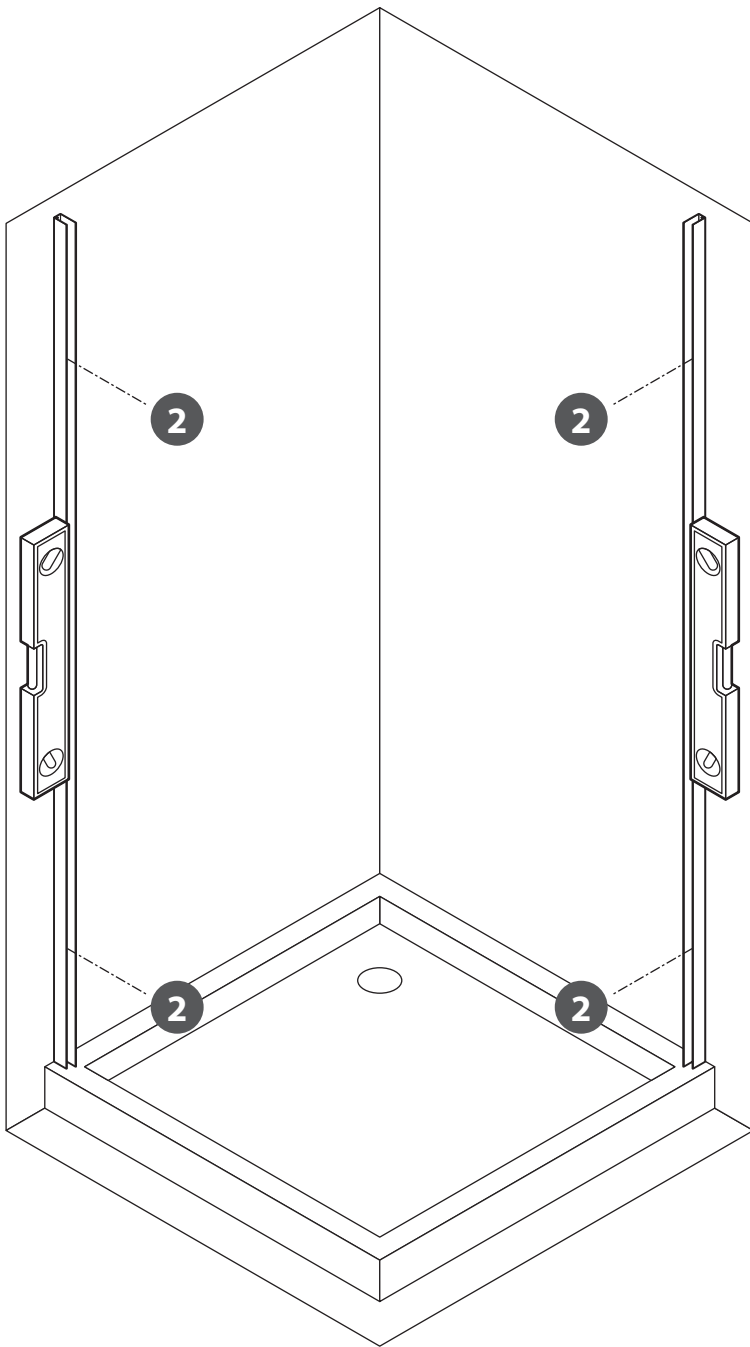


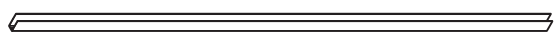


1



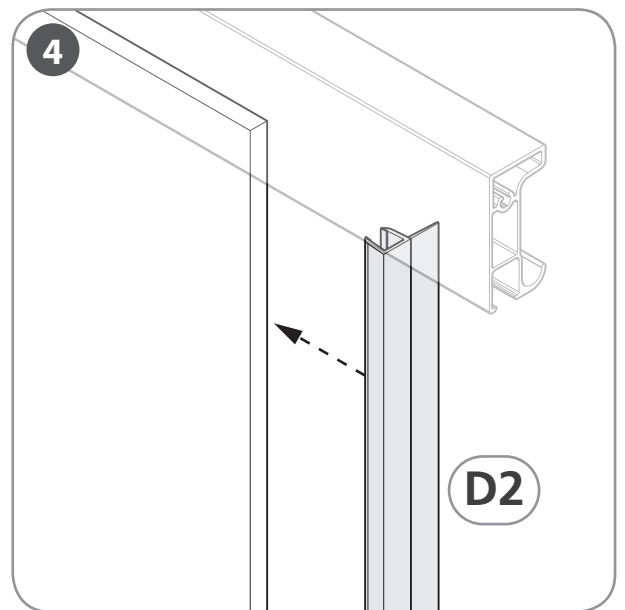
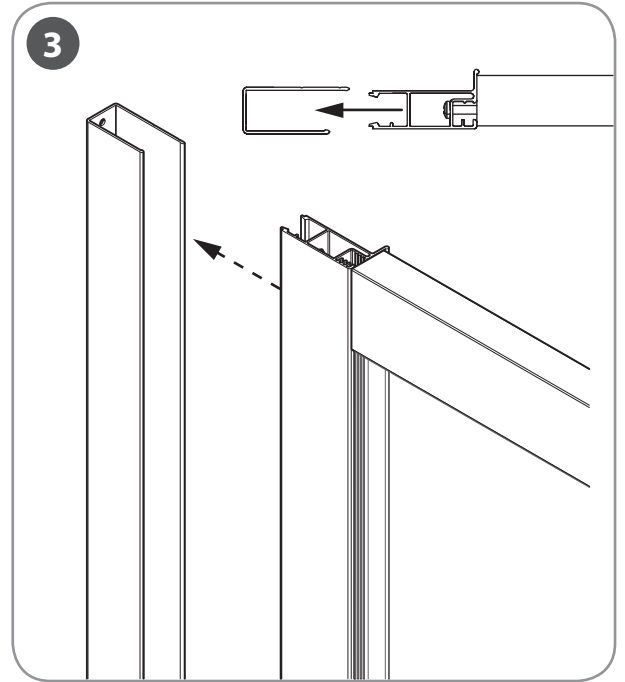
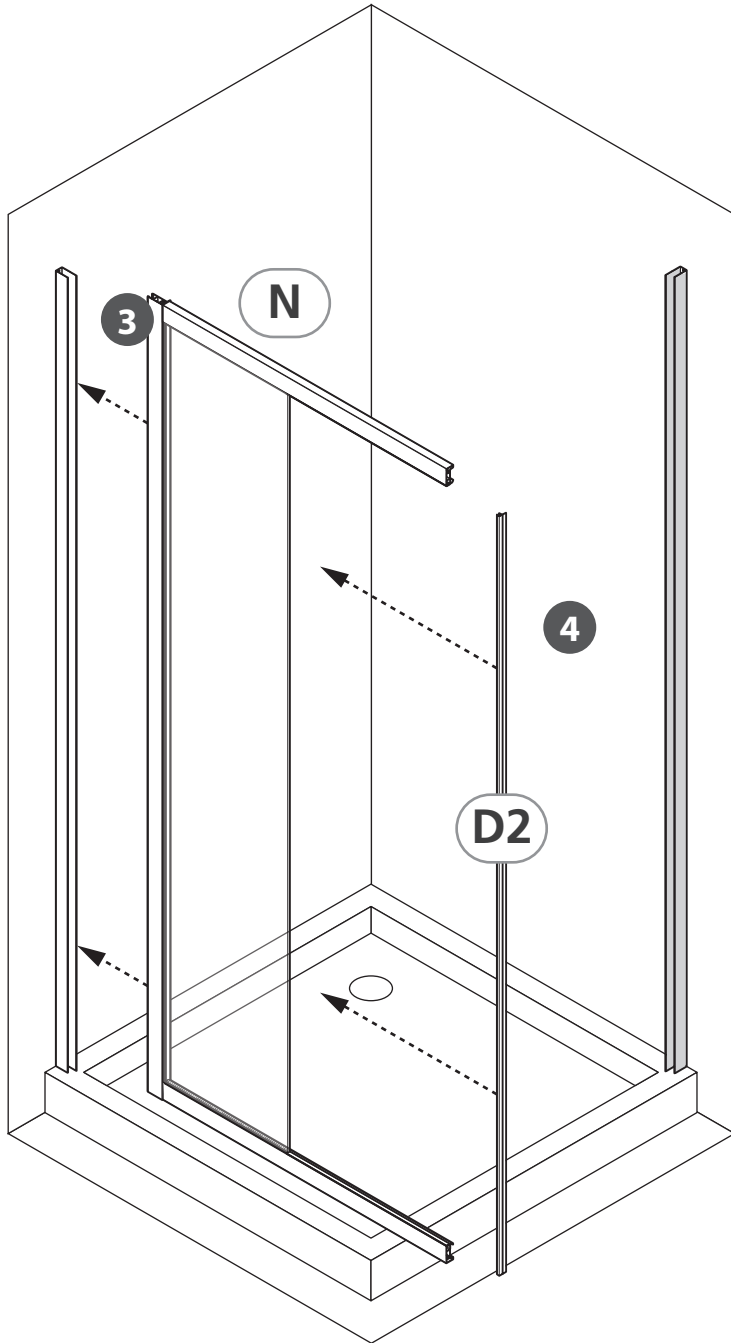
A68	X=67-70 cm	Y=67-70 cm
A73	X=72-75 cm	Y=72-75 cm
A75	X=74-77 cm	Y=74-77 cm
A78	X=77-80 cm	Y=77-80 cm
A83	X=82-85 cm	Y=82-85 cm
A88	X=87-90 cm	Y=87-90 cm
A93	X=92-95 cm	Y=92-95 cm
A98	X=97-100 cm	Y=97-100 cm
A102	X=102-105 cm	Y=102-105 cm
A107	X=107-110 cm	Y=107-110 cm
A112	X=112-115 cm	Y=112-115 cm
A118	X=117-120 cm	Y=117-120 cm



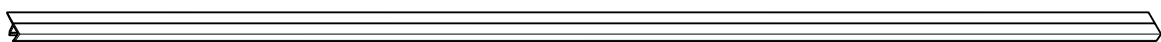


- M**  x2
- C2**  4X35 mm x4
- C1**  x4

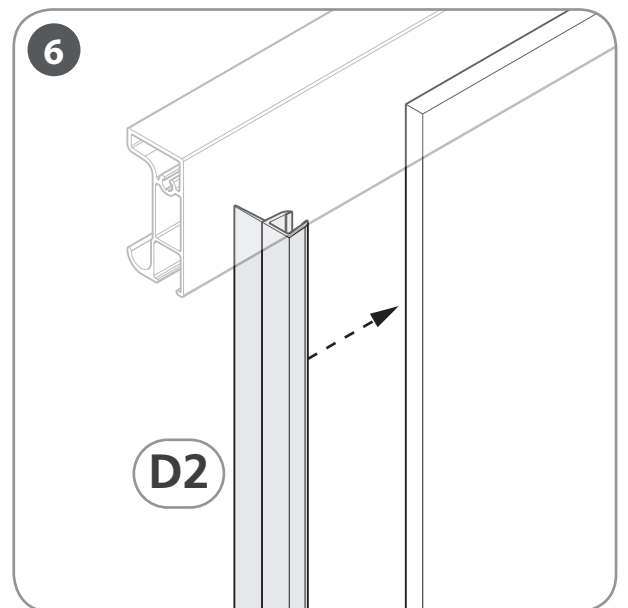
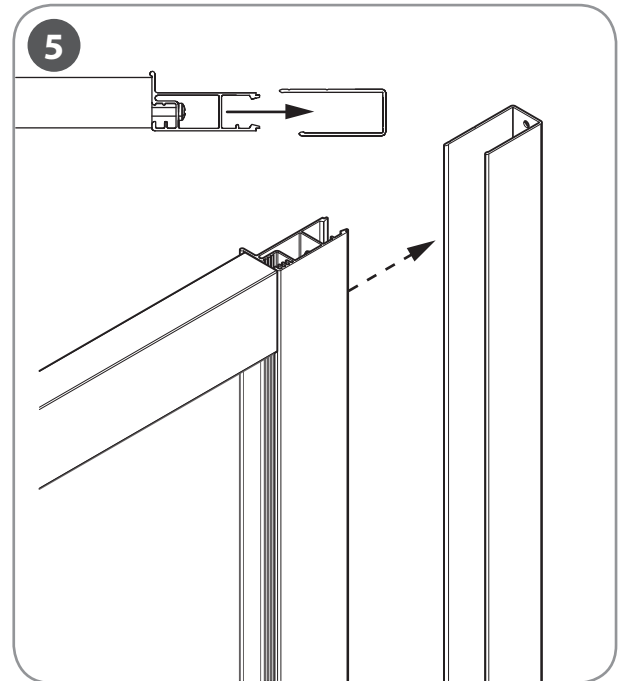
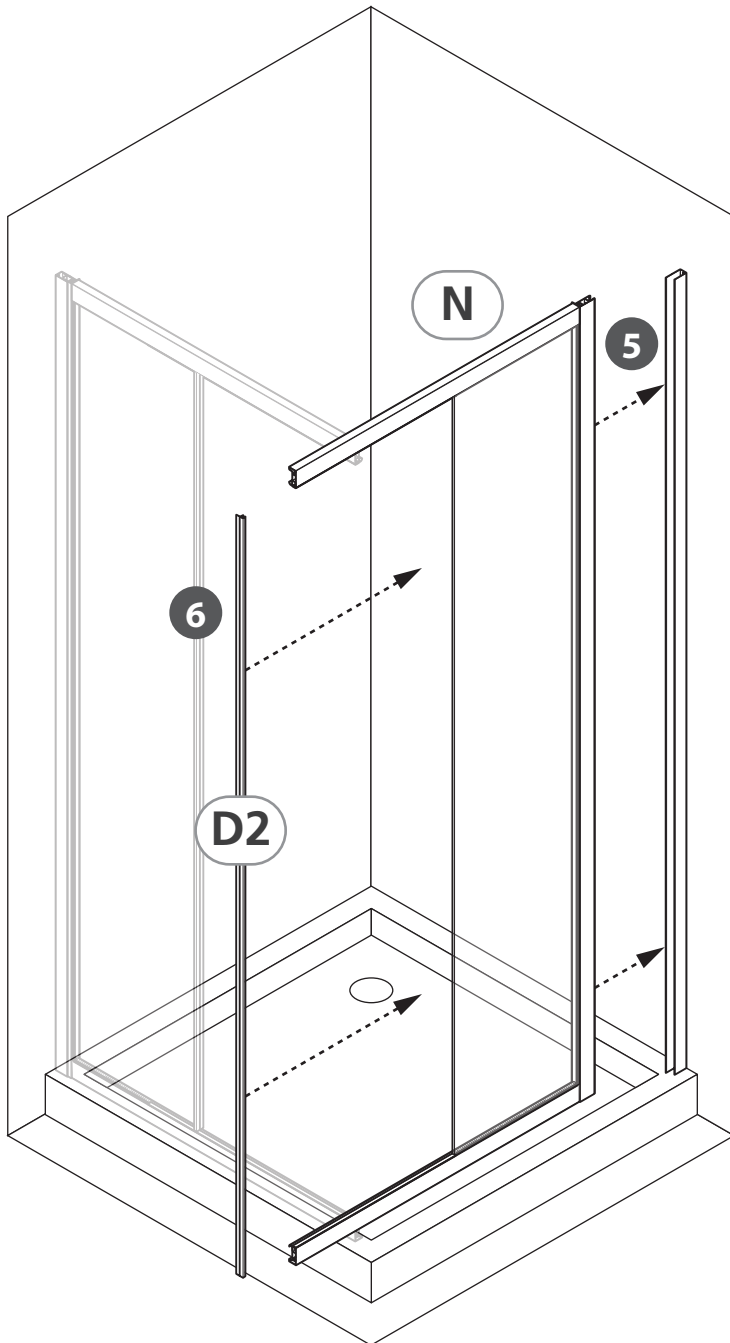
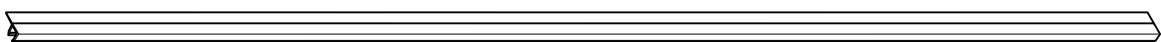
3



D2

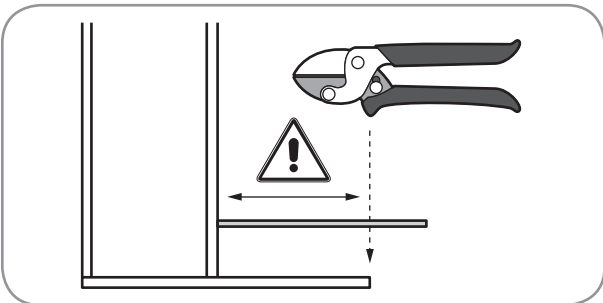
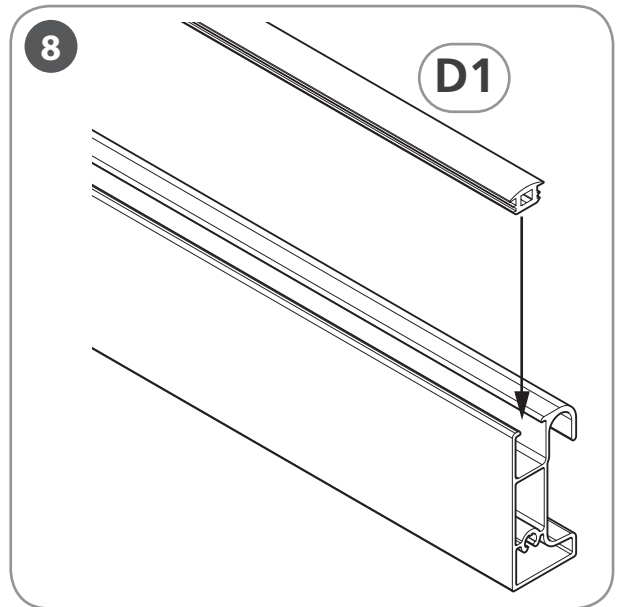
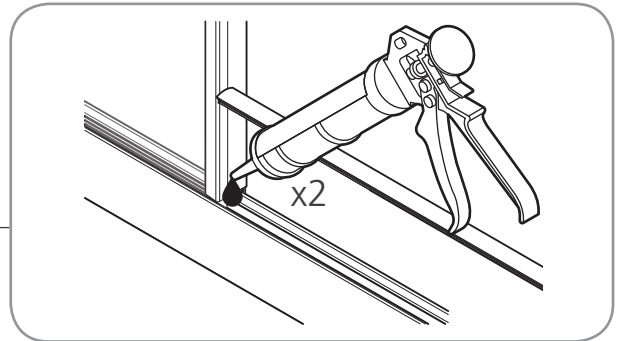
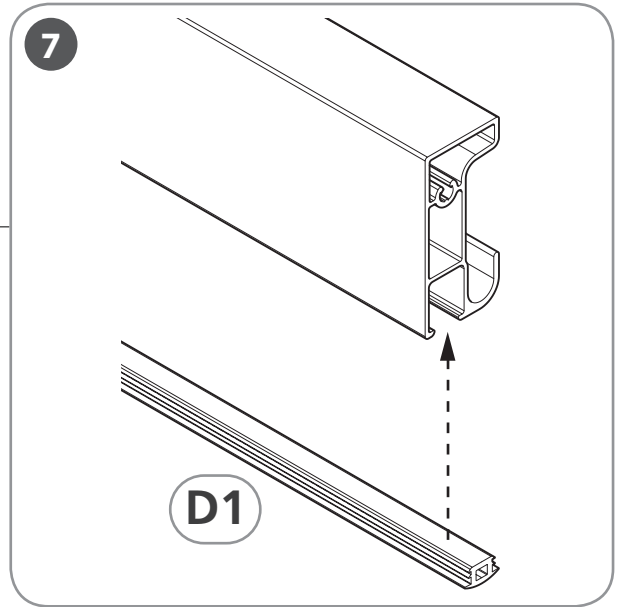
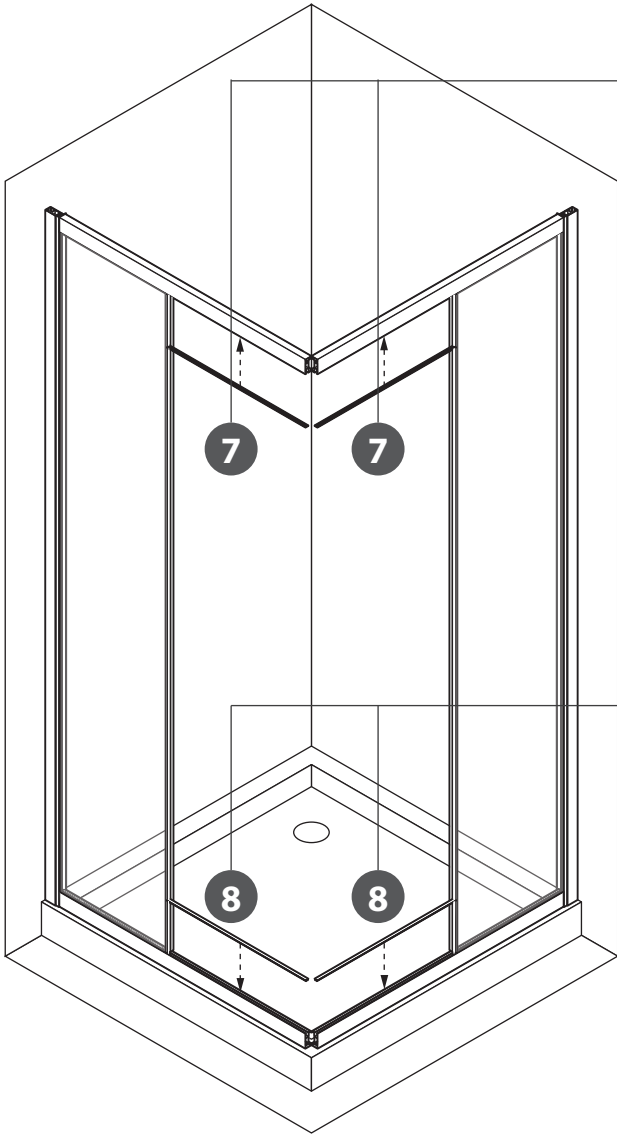


h 1862 mm

**D2**

h 1862 mm

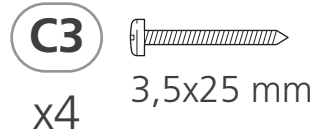
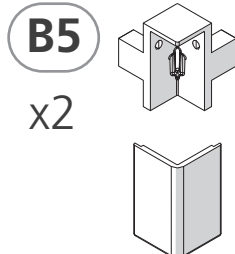
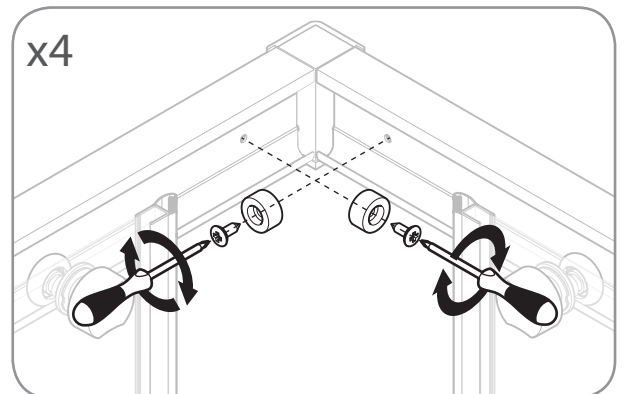
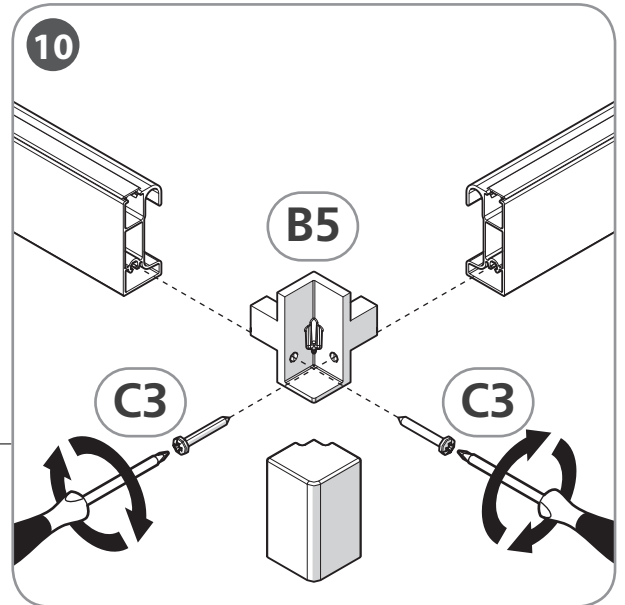
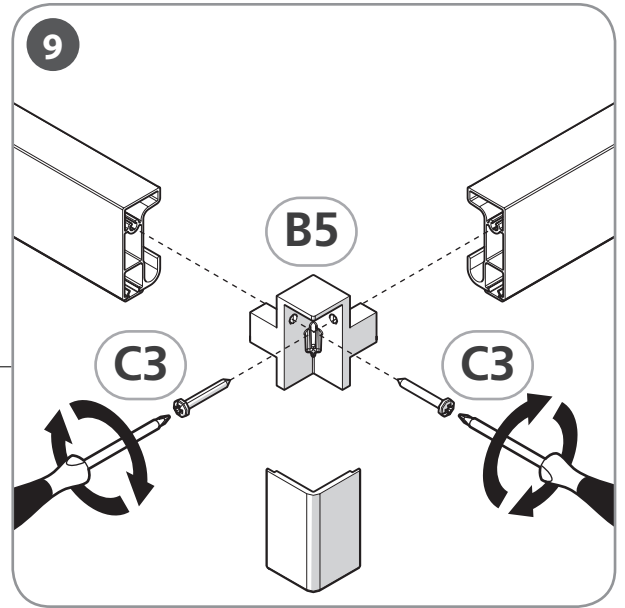
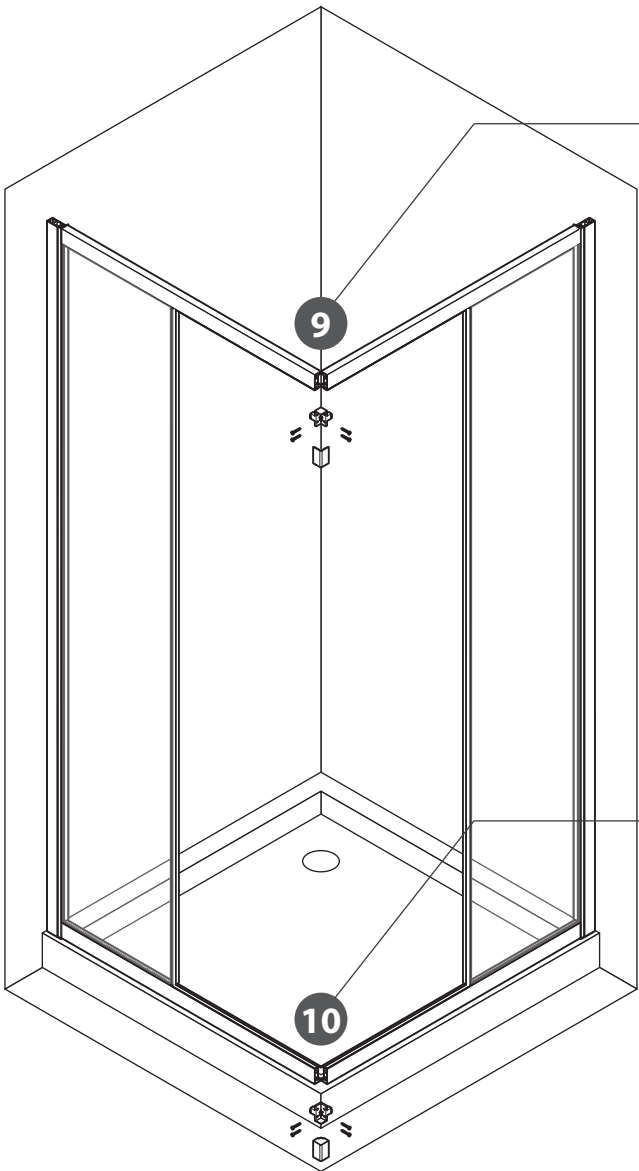
5

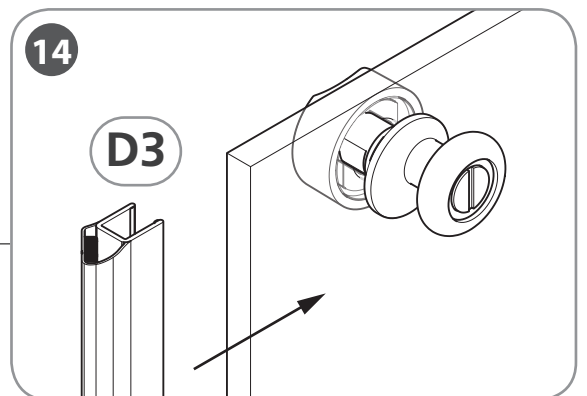
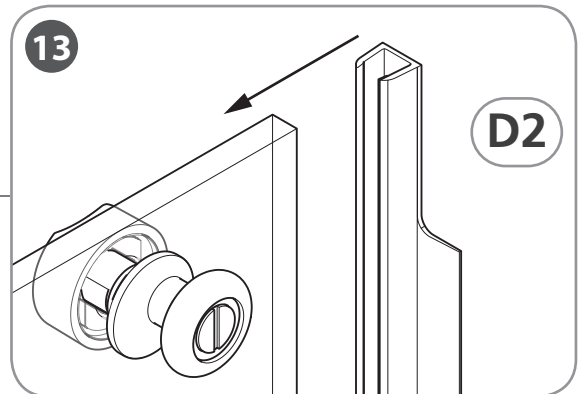
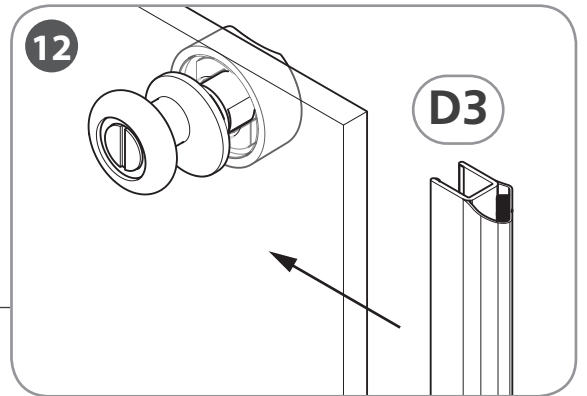
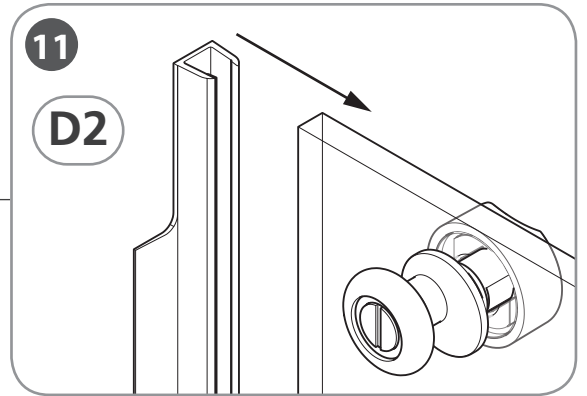
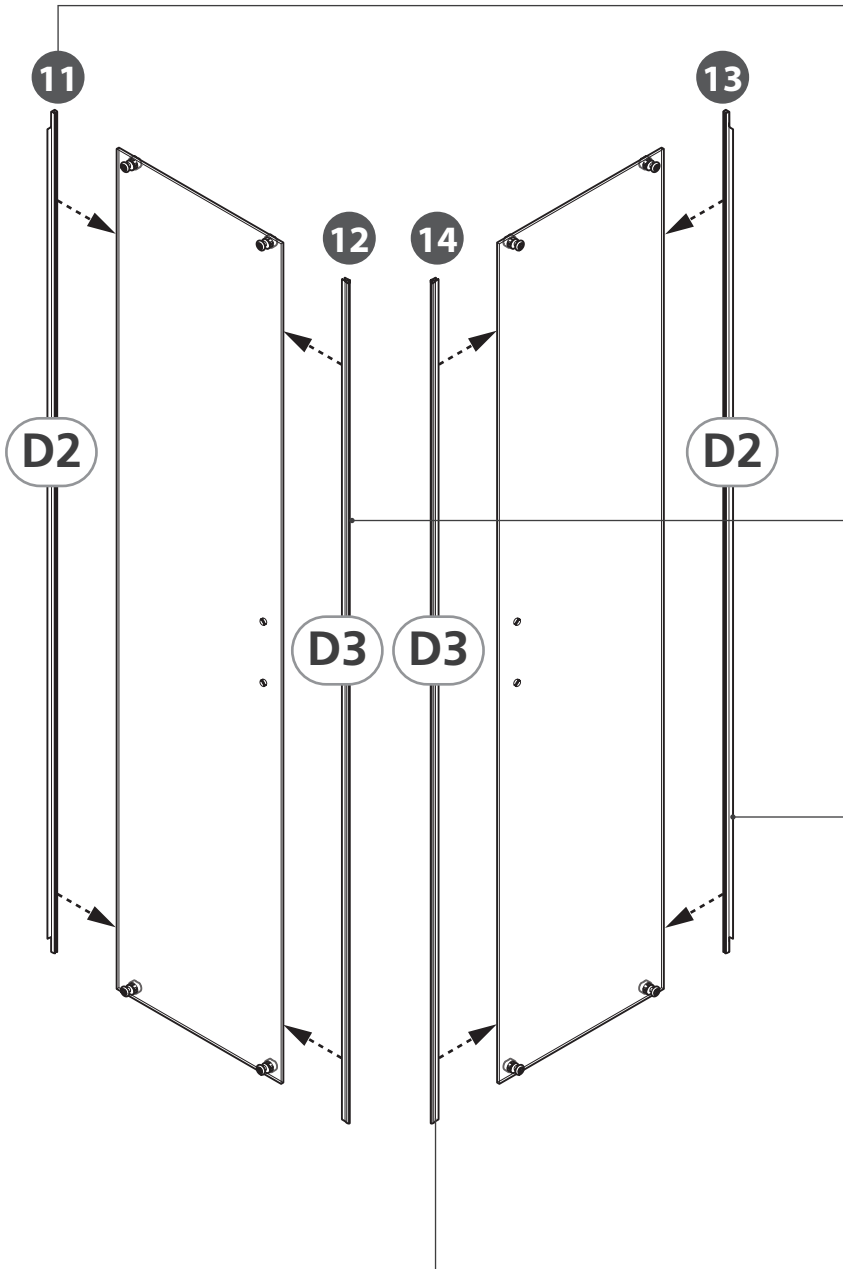


D1



x4





h 1924

D2



x2

h 1924

D3



x2

