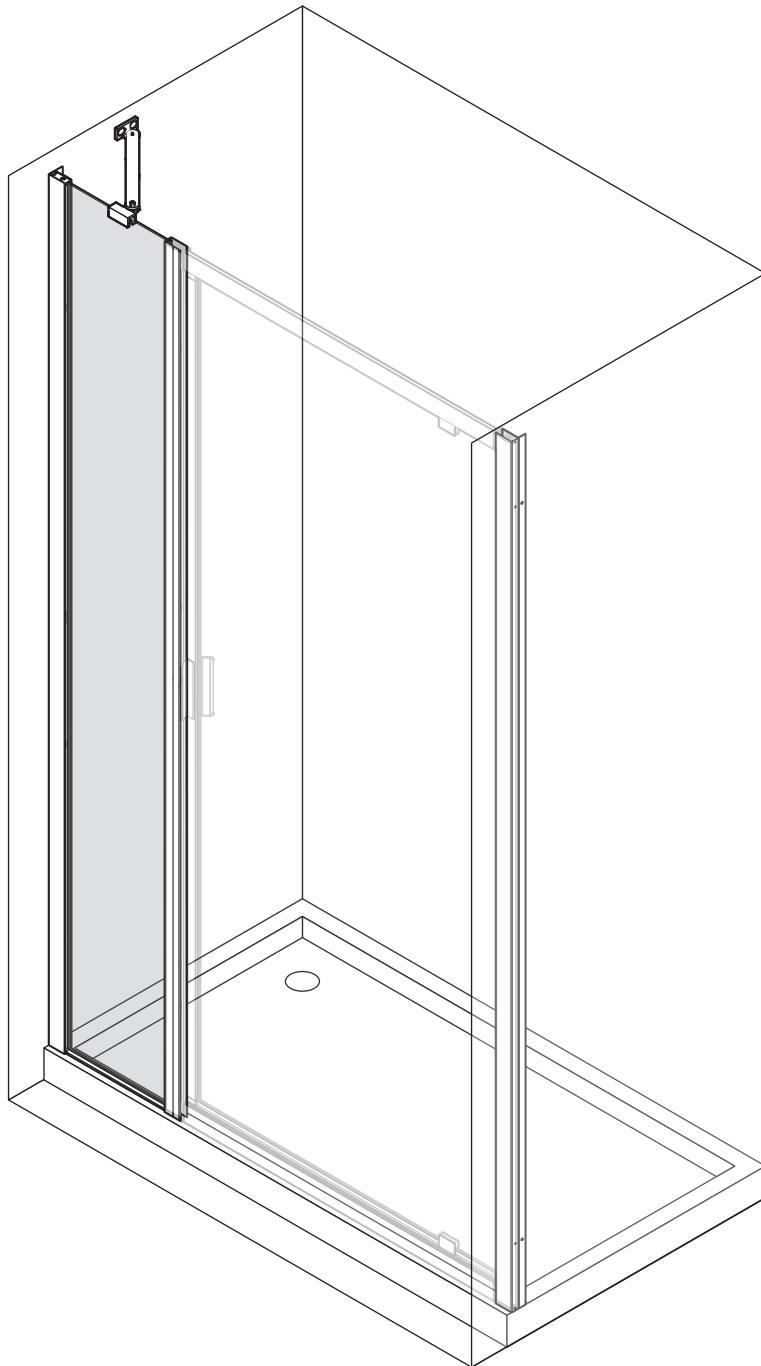
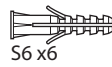
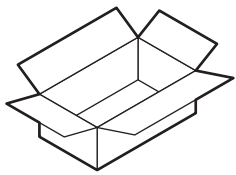
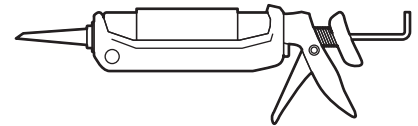
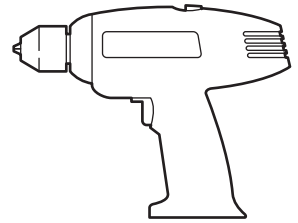
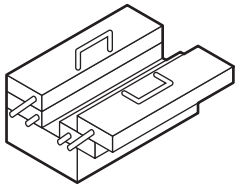
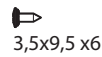


**FL**



S6 x6



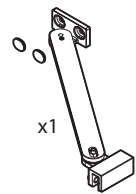
3,5x9,5 x6



M5x10 x1



M5 x1



x1



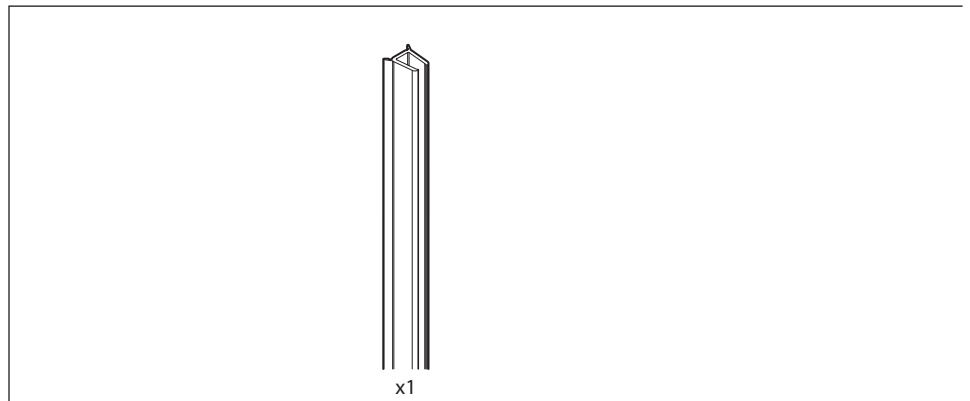
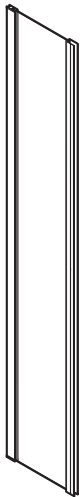
4x35 x6



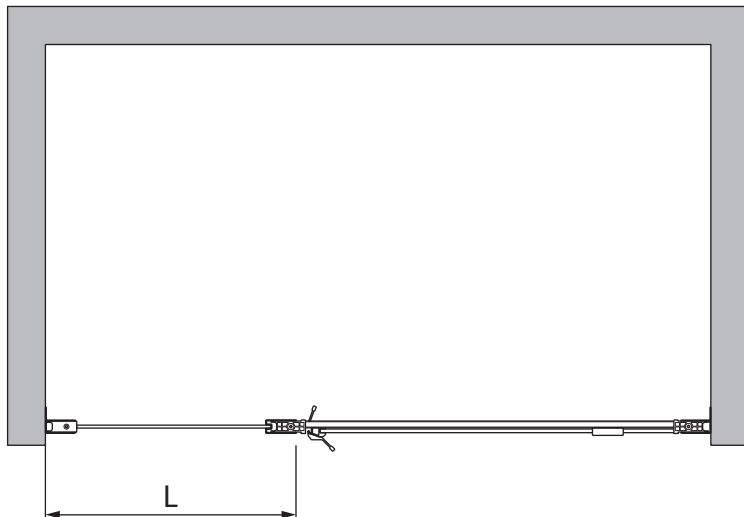
x8



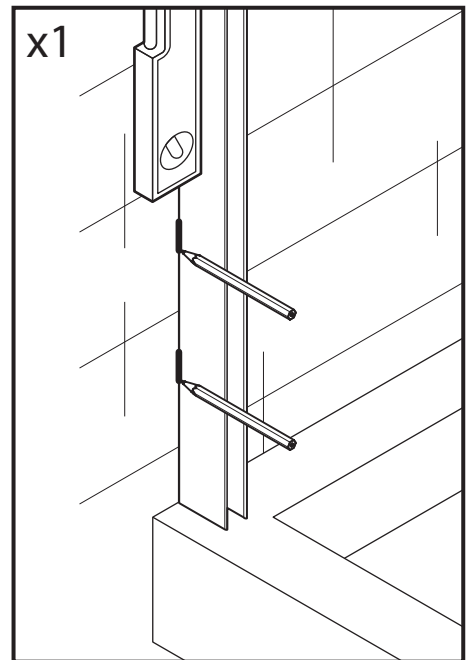
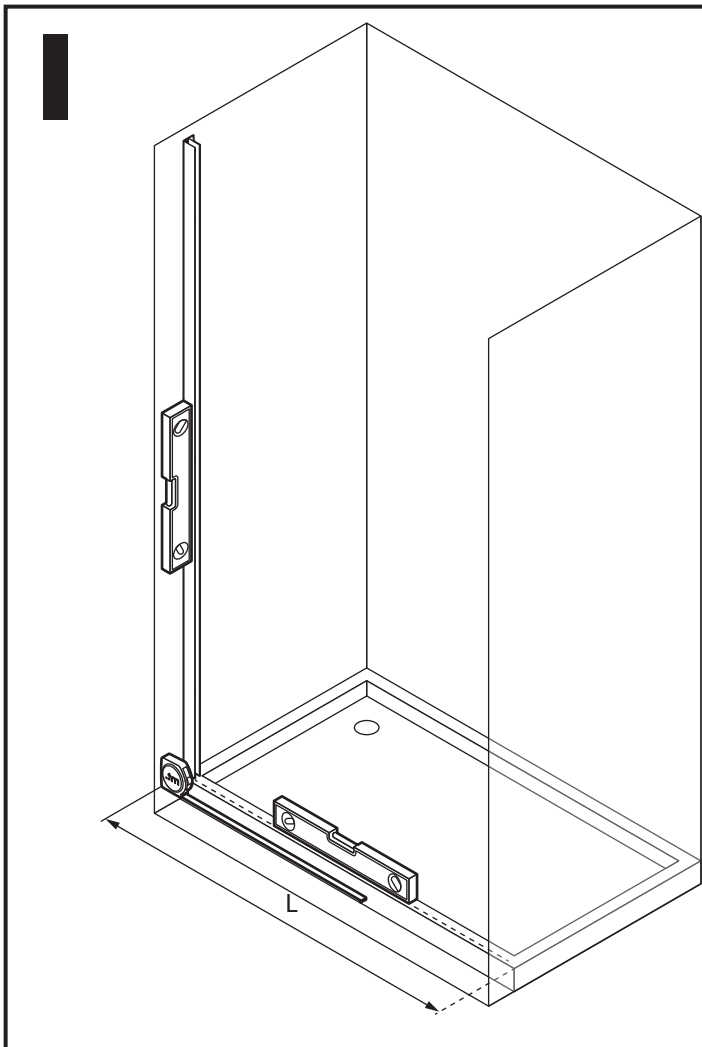
M5x16 x1



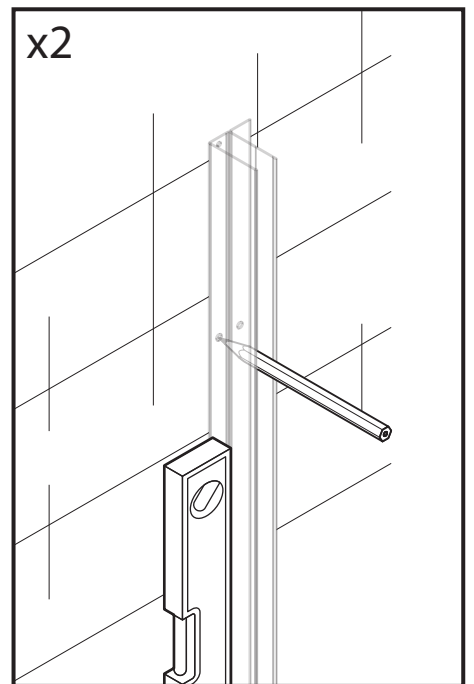
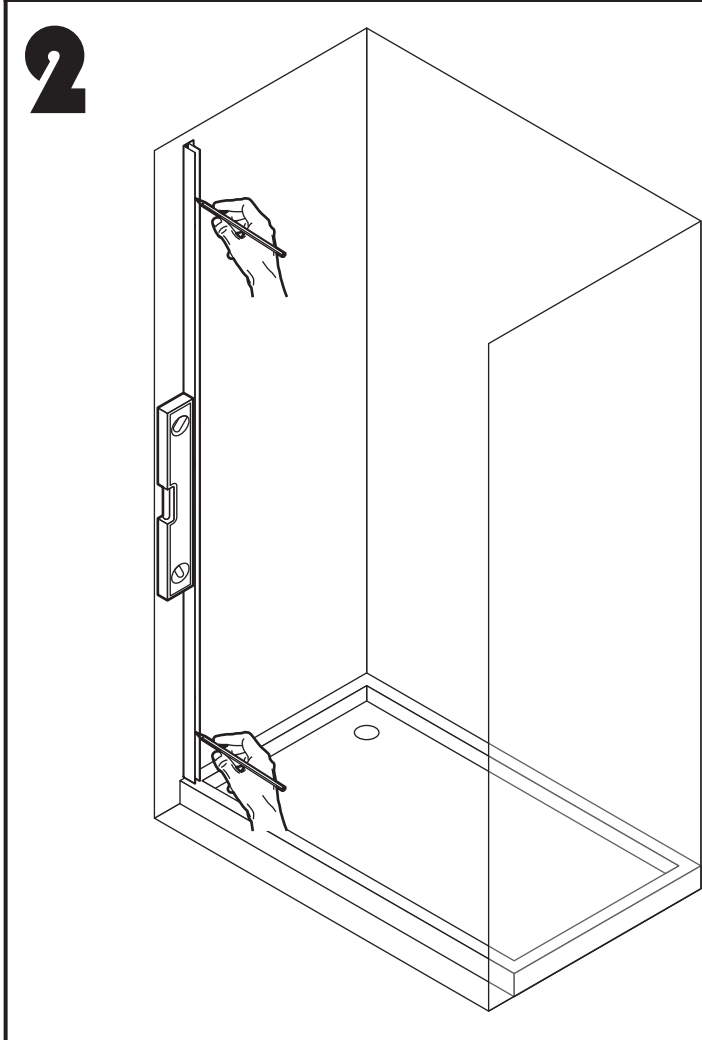
x1



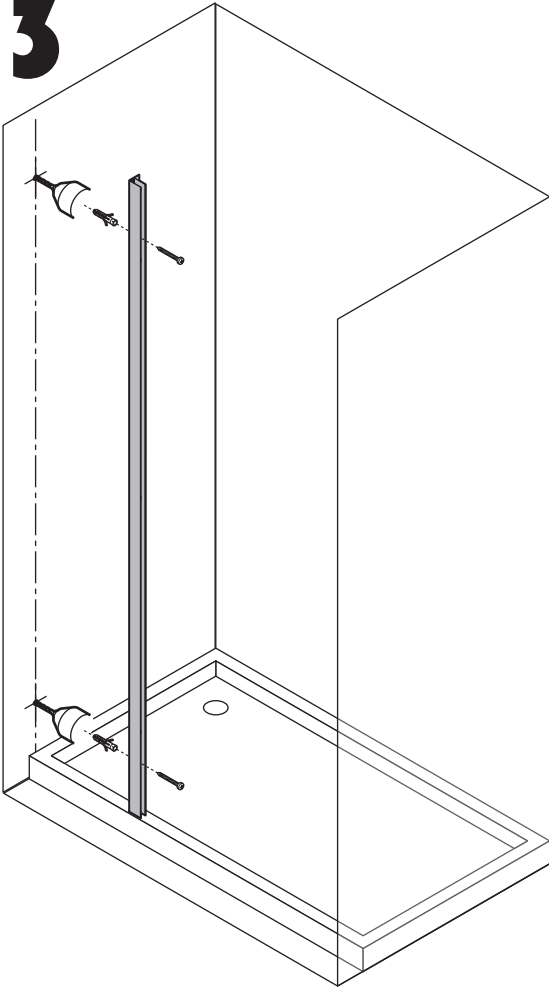
FL 96	L=96-102 cm
FL 102	L=102-108 cm
FL 108	L=108-114 cm
FL 114	L=114-120 cm
FL 120	L=120-126 cm
FL 126	L=126-132 cm
FL 132	L=132-138 cm
FL 138	L=138-144 cm
FL 144	L=144-150 cm






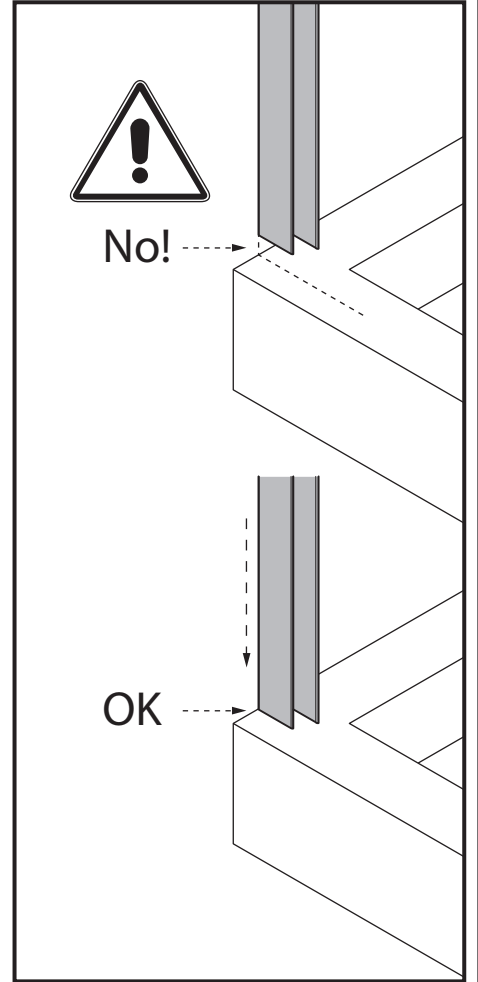
FL 96	L=96-102 cm
FL 102	L=102-108 cm
FL 108	L=108-114 cm
FL 114	L=114-120 cm
FL 120	L=120-126 cm
FL 126	L=126-132 cm
FL 132	L=132-138 cm
FL 138	L=138-144 cm
FL 144	L=144-150 cm



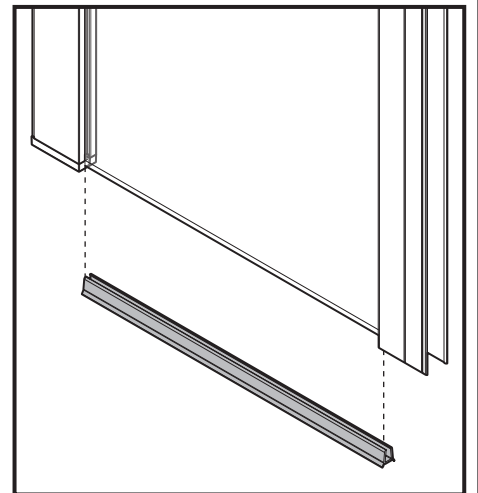
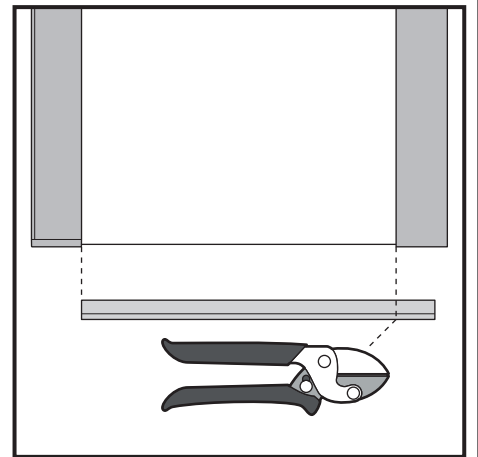
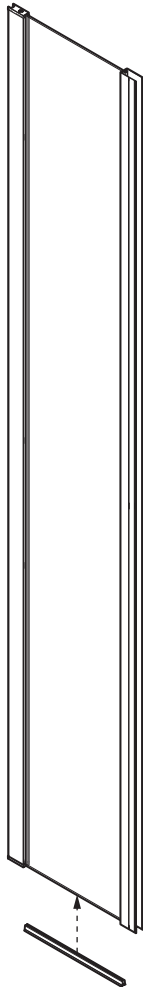
# 3



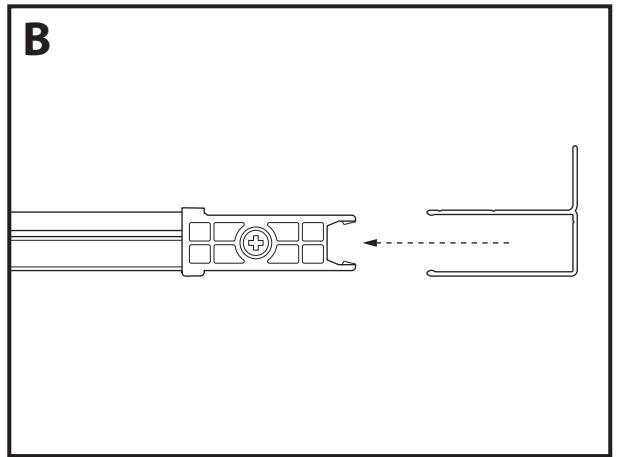
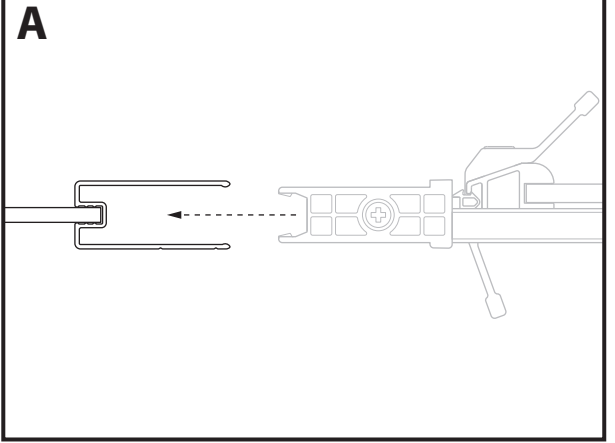
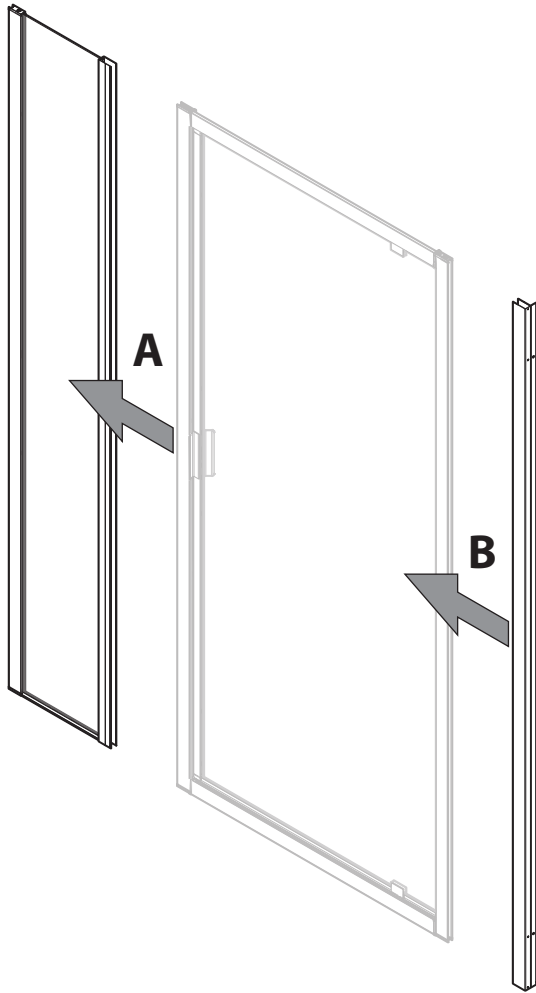
-  4x35 x2
-  S6 x2
-   $\varnothing 6$  mm



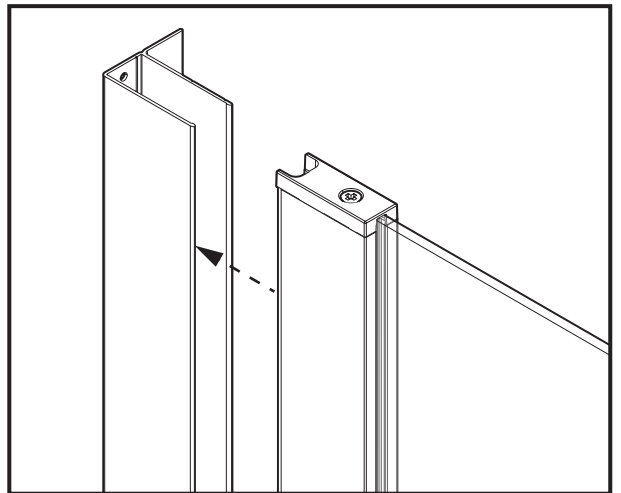
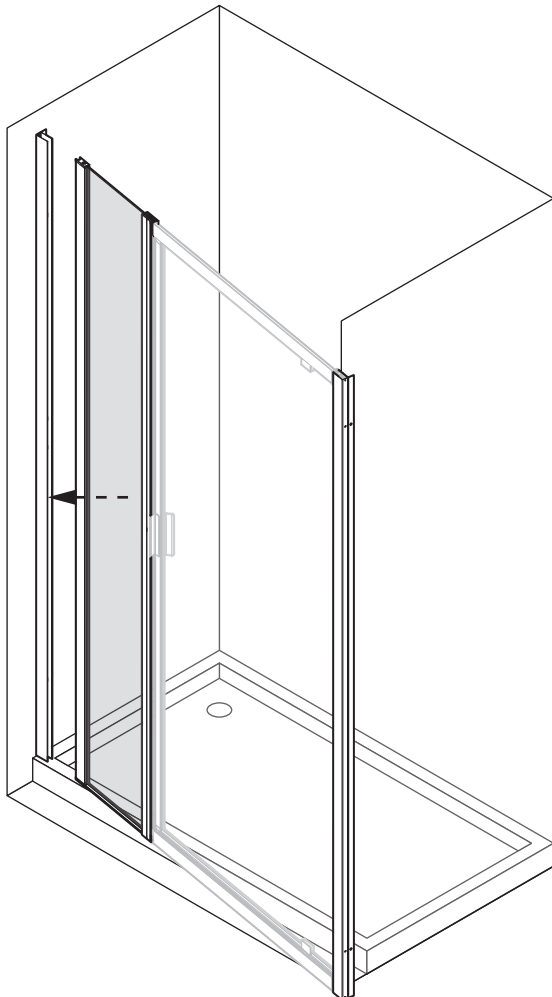
# 4



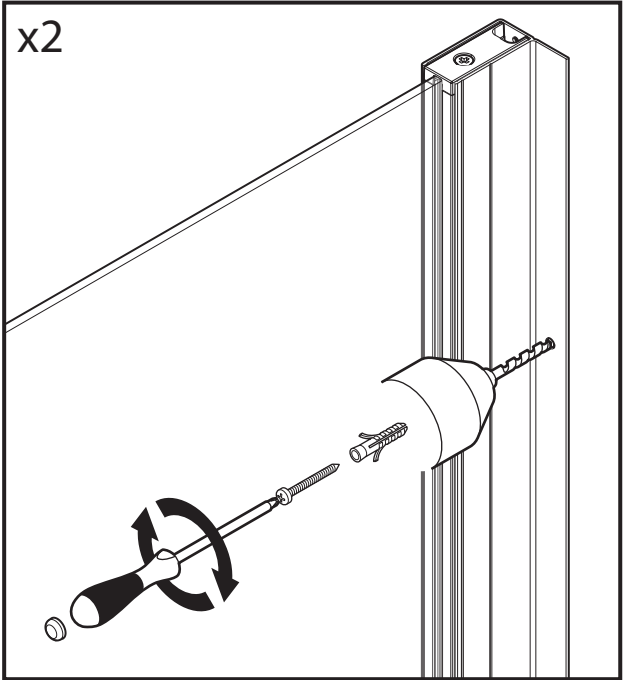
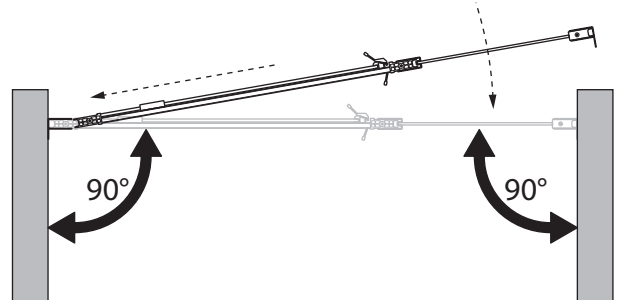
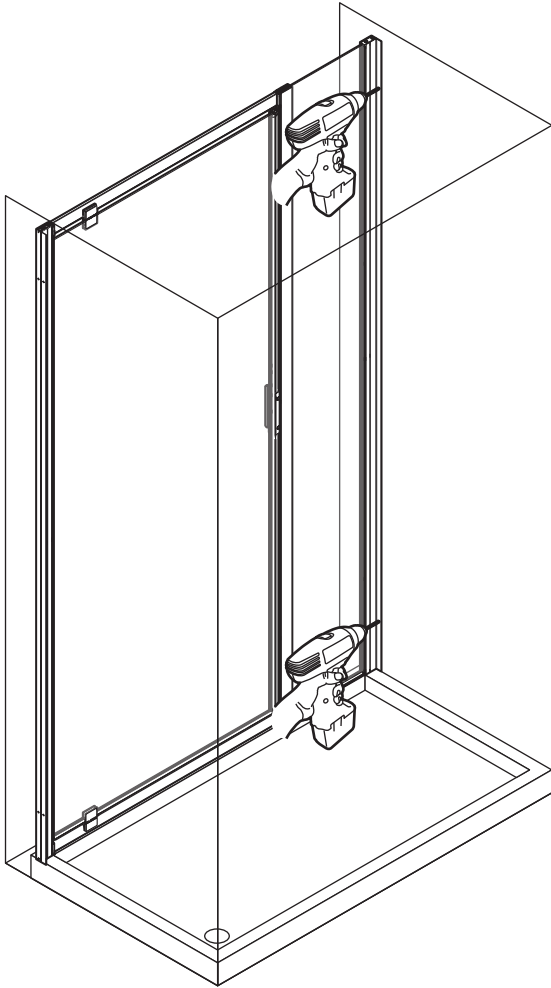
**5**



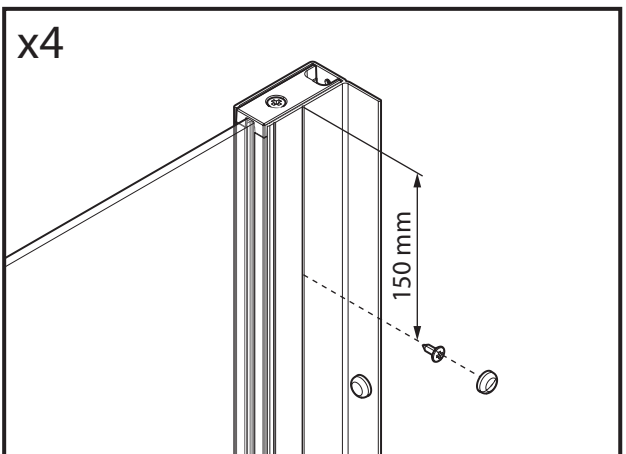
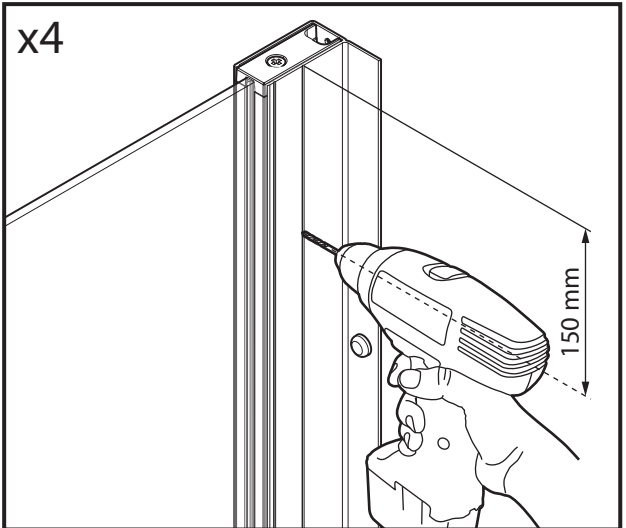
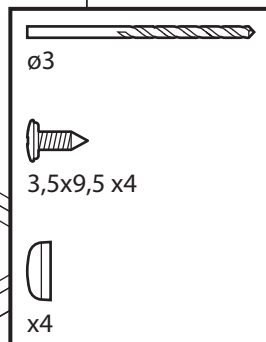
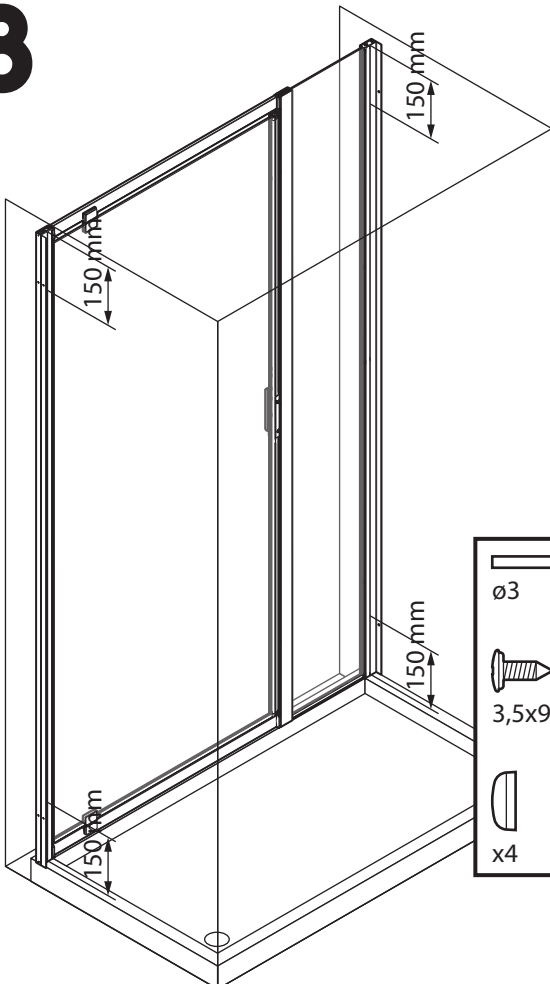
**6**



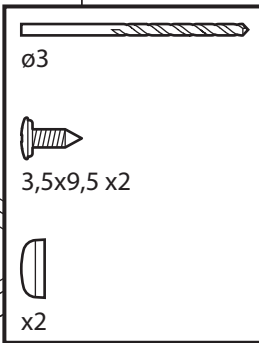
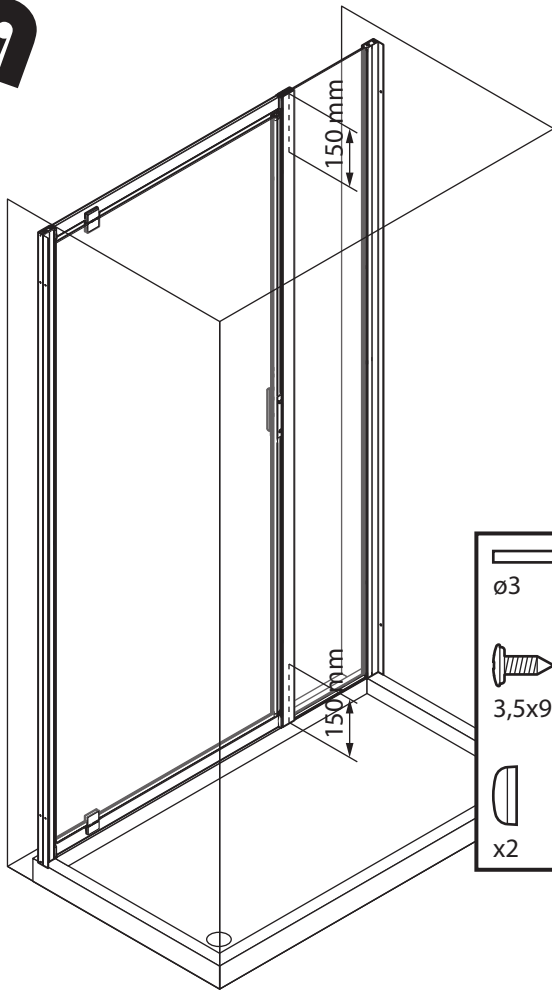
# 7



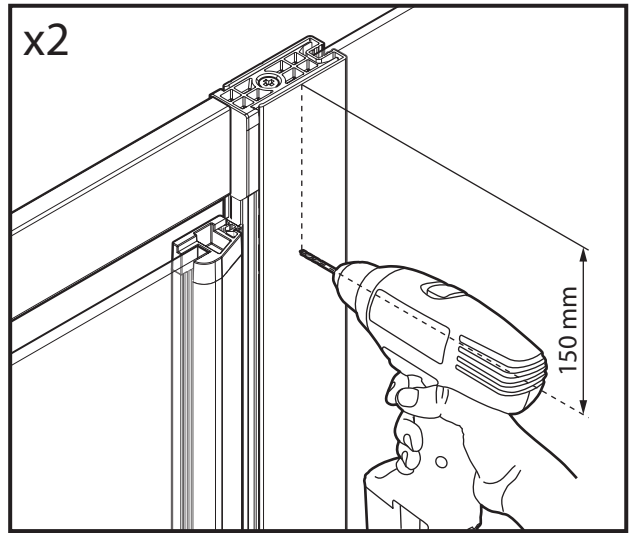
# 8



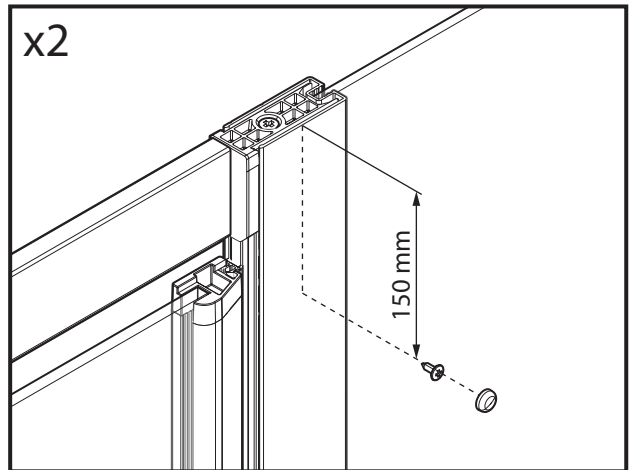
# 9



x2



x2



# 10

