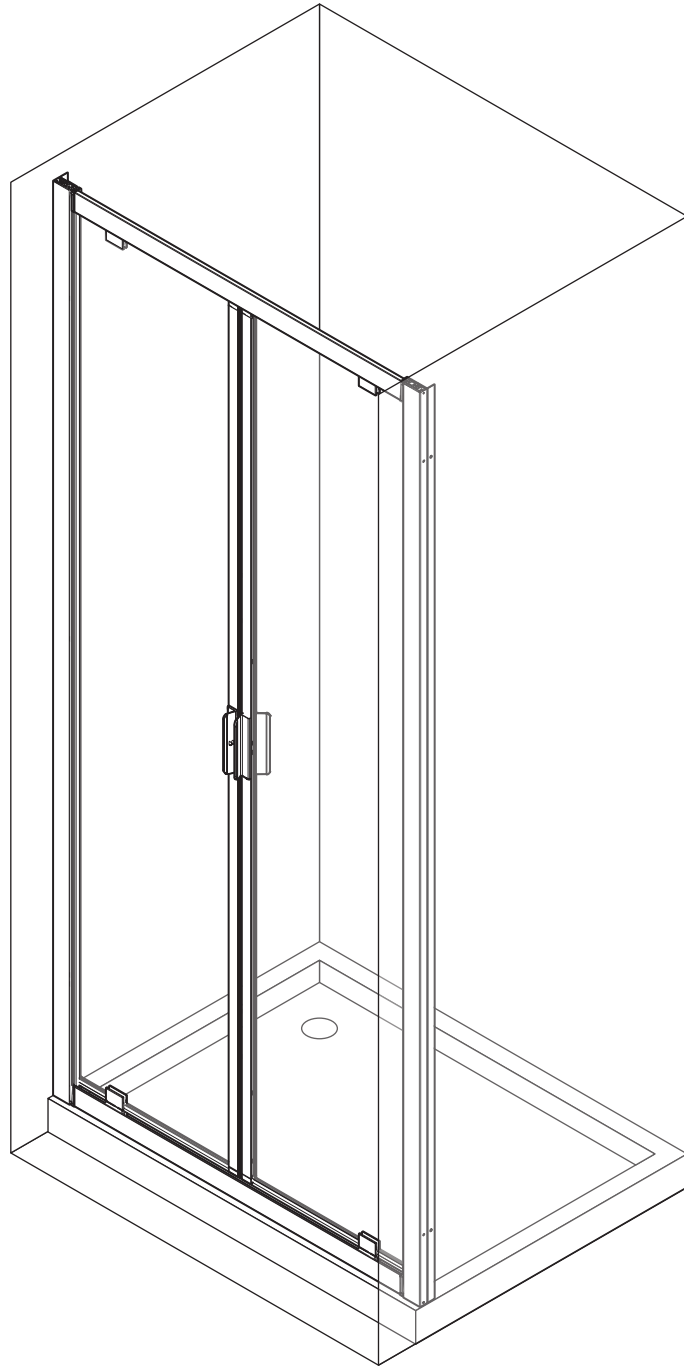
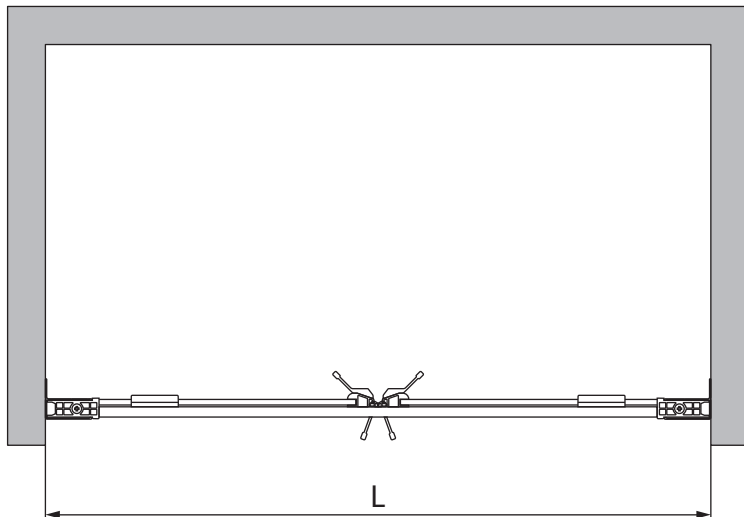
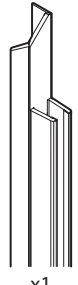
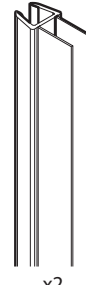
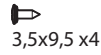
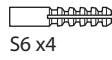
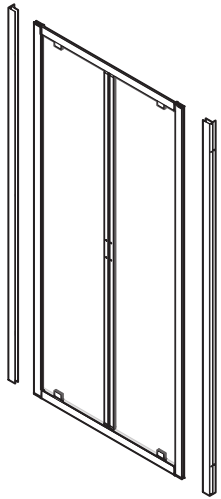
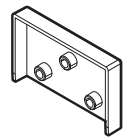
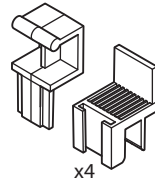
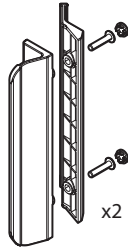
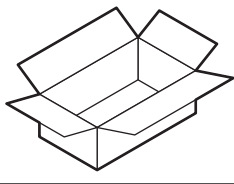
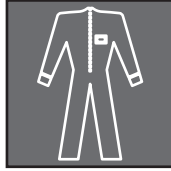
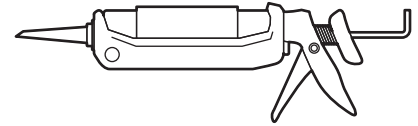
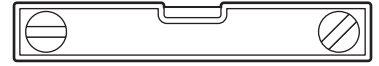
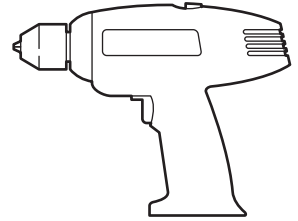
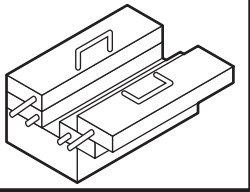
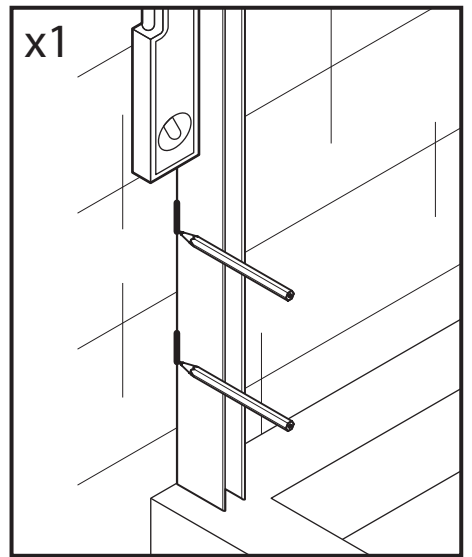
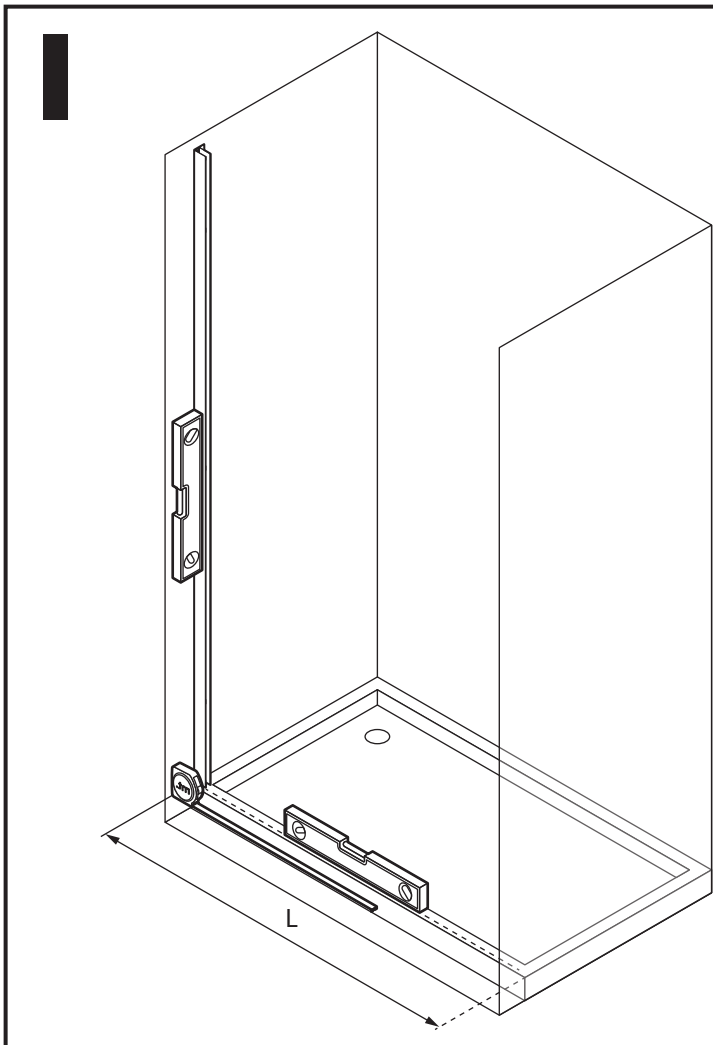


B

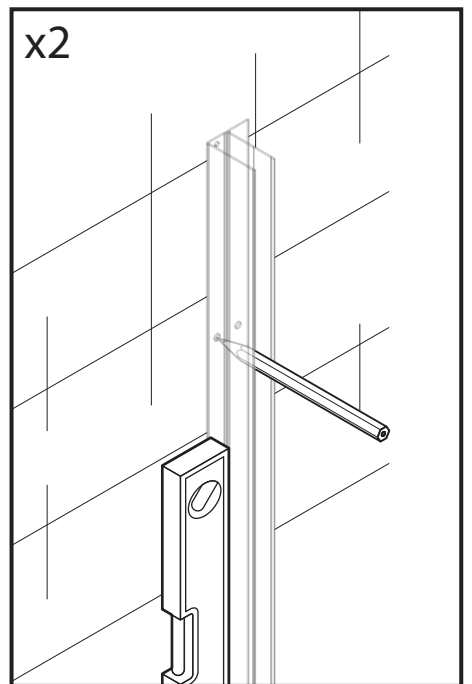
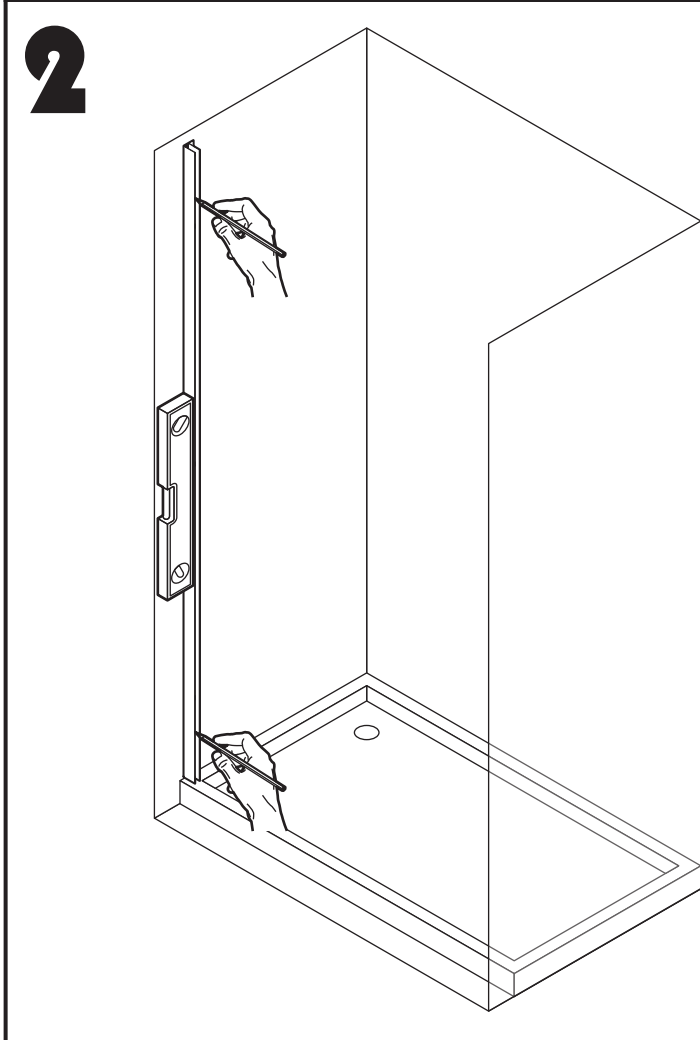




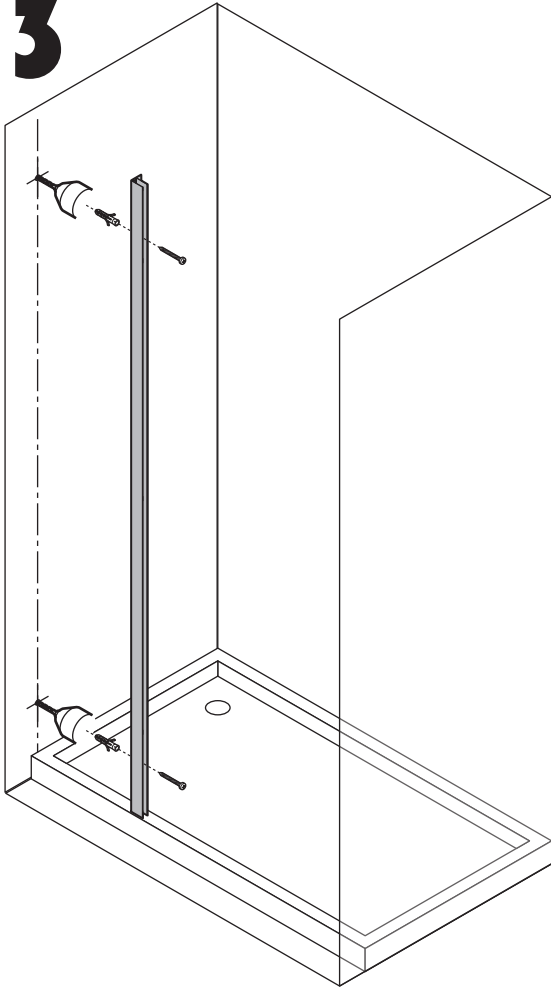
B 60	L=60-66 cm
B 66	L=66-72 cm
B 72	L=72-78 cm
B 78	L=78-84 cm
B 84	L=84-90 cm
B 90	L=90-96 cm
B 96	L=96-102 cm
B 102	L=102-108 cm
B 108	L=108-114 cm
B 114	L=114-120 cm



B 60	L=60-66 cm
B 66	L=66-72 cm
B 72	L=72-78 cm
B 78	L=78-84 cm
B 84	L=84-90 cm
B 90	L=90-96 cm
B 96	L=96-102 cm
B 102	L=102-108 cm
B 108	L=108-114 cm
B 114	L=114-120 cm



3



 4x35 x2

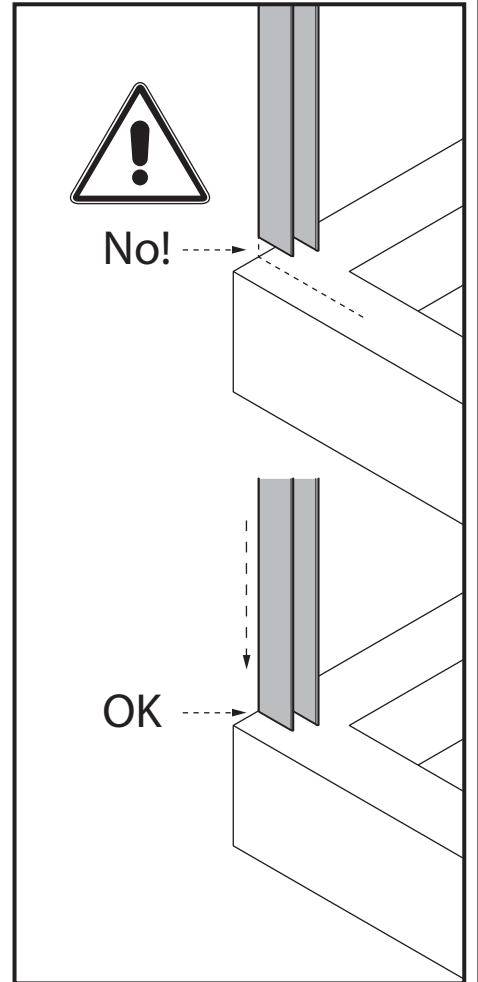
 S6 x2

 $\varnothing 6$ mm

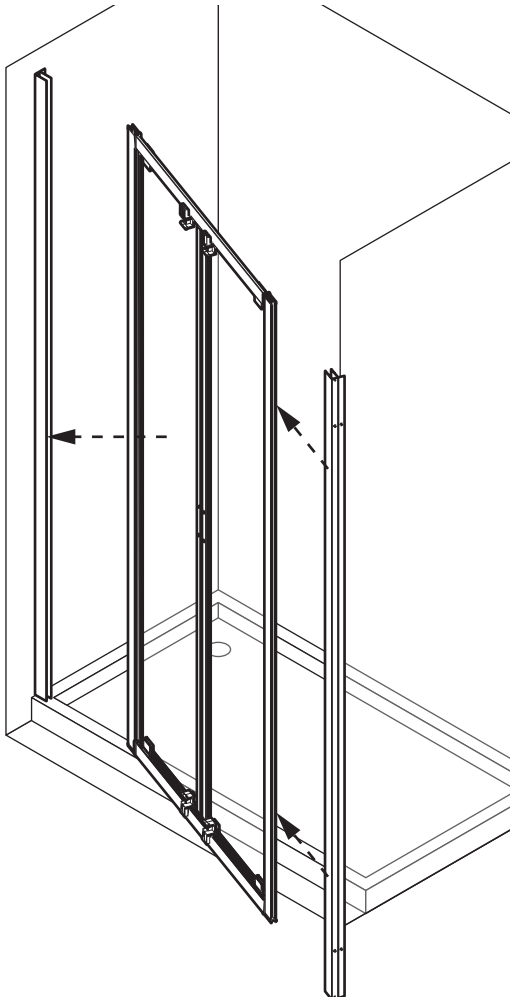


No!

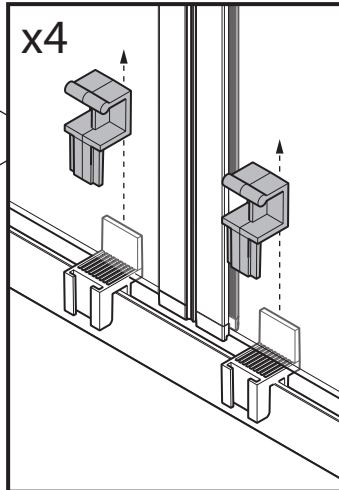
OK



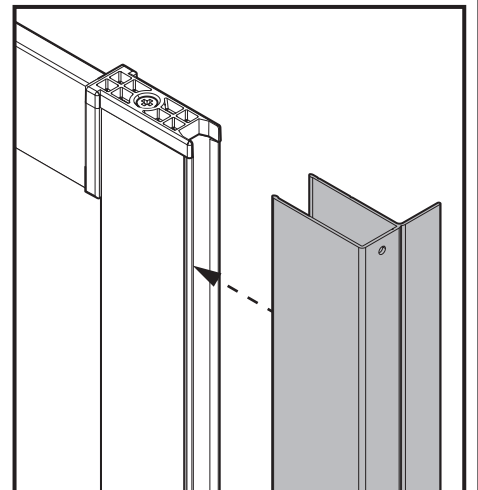
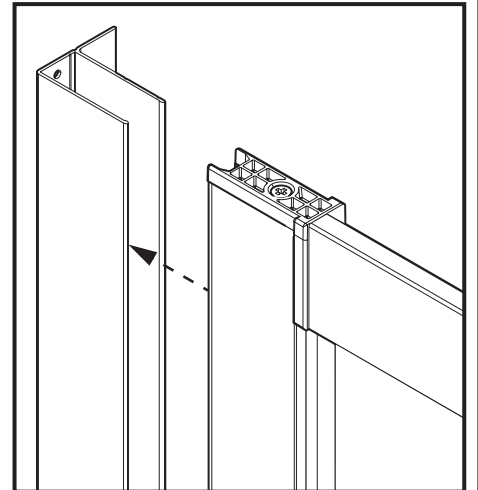
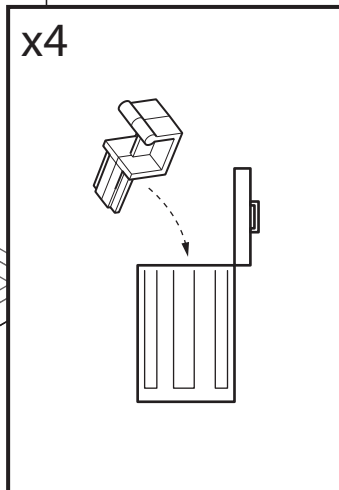
4



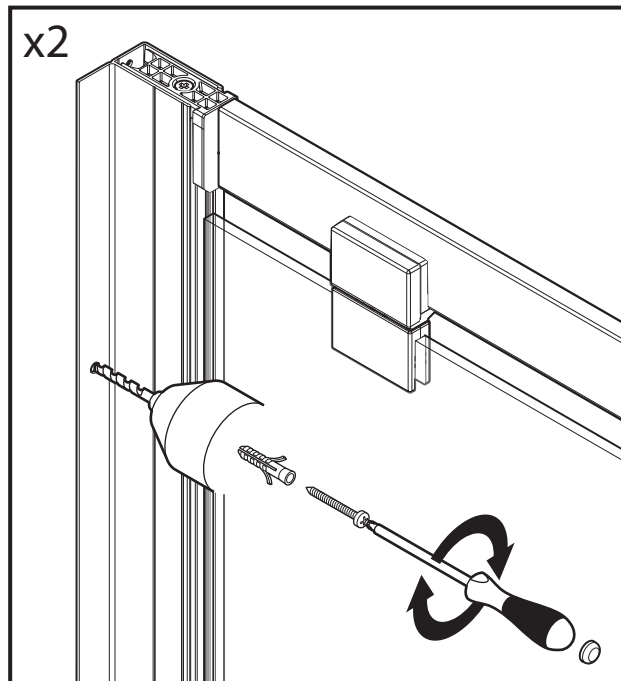
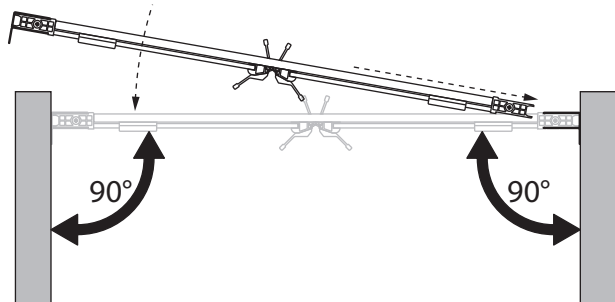
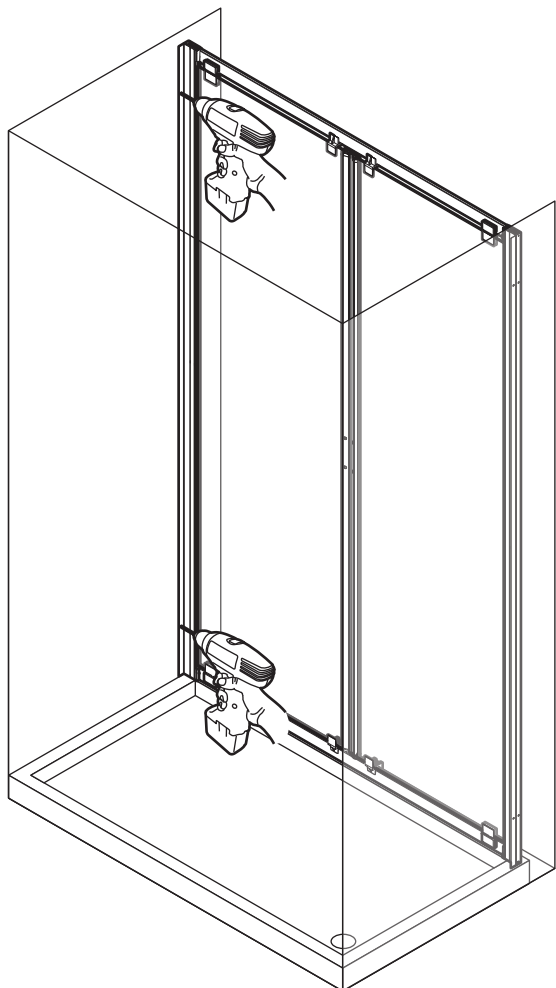
x4



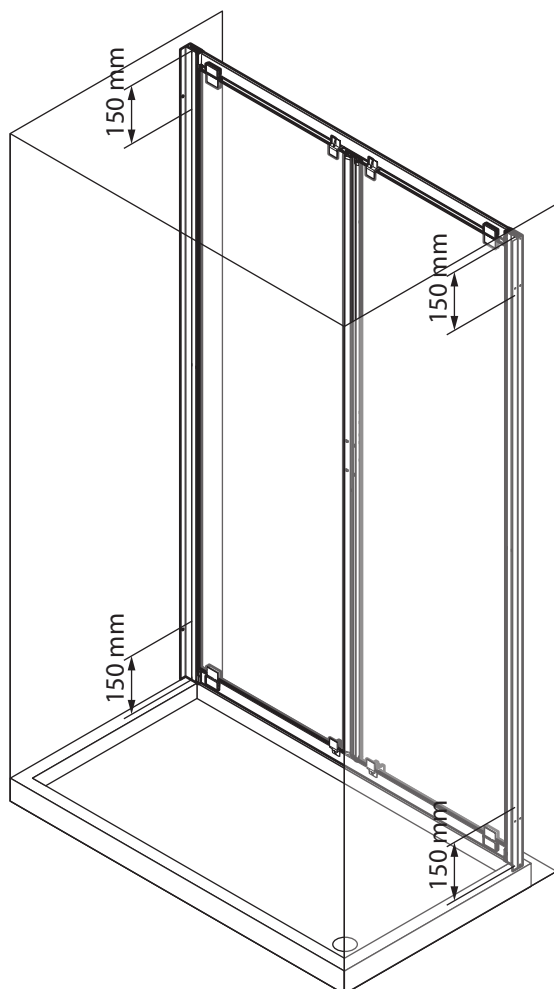
x4



5



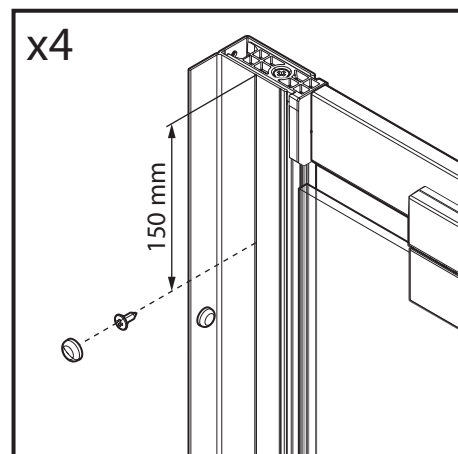
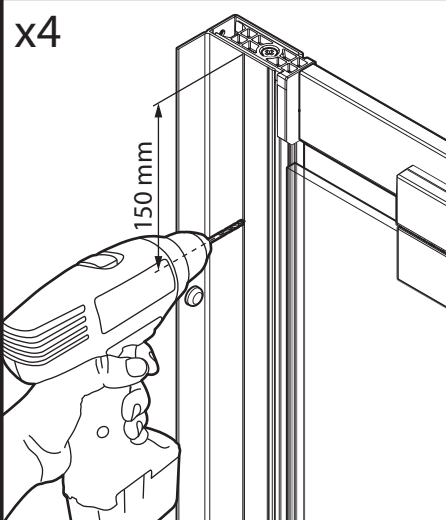
6



3,5x9,5 x4

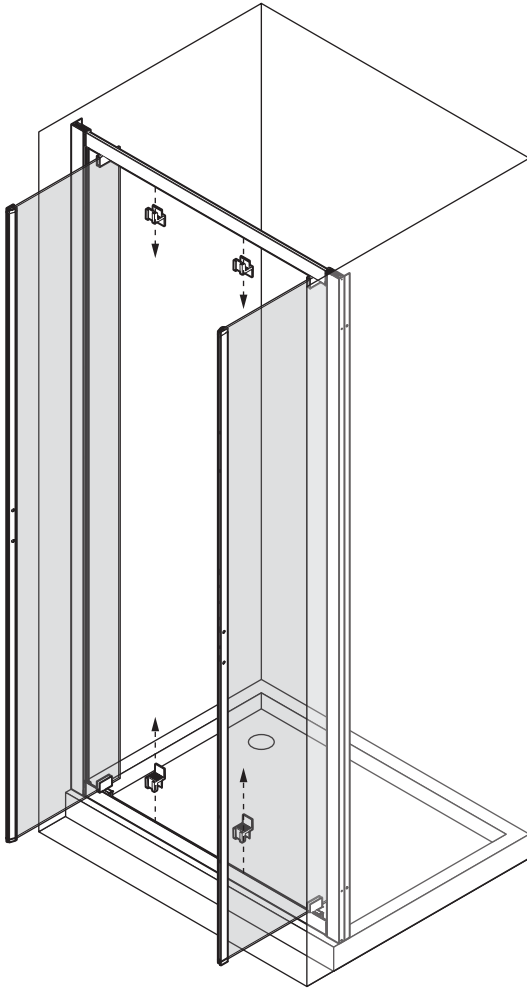


x4

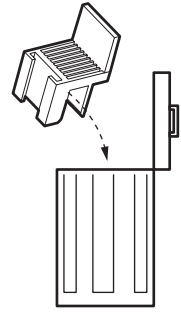


5

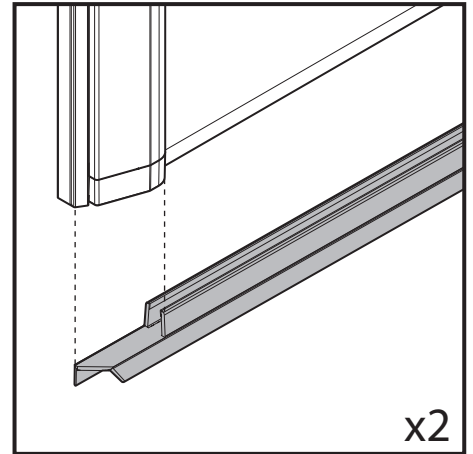
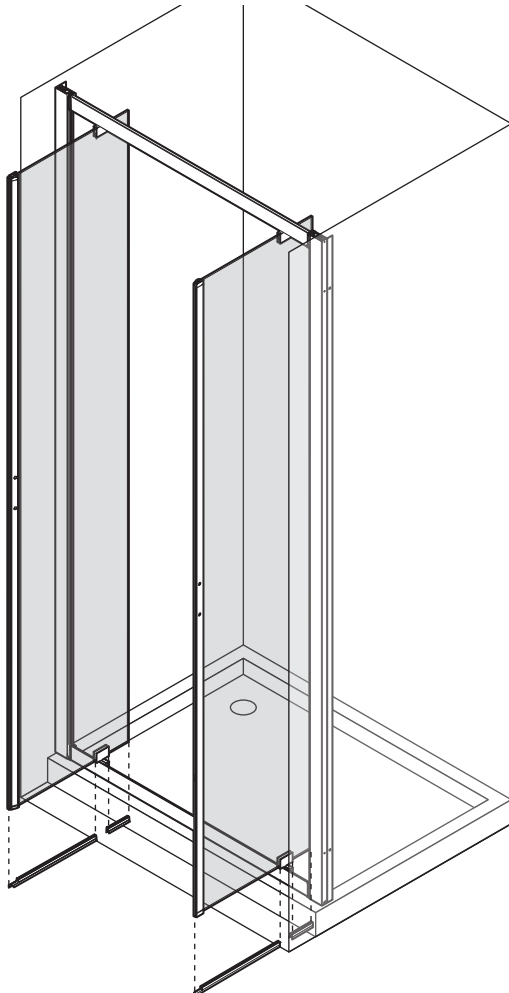
7



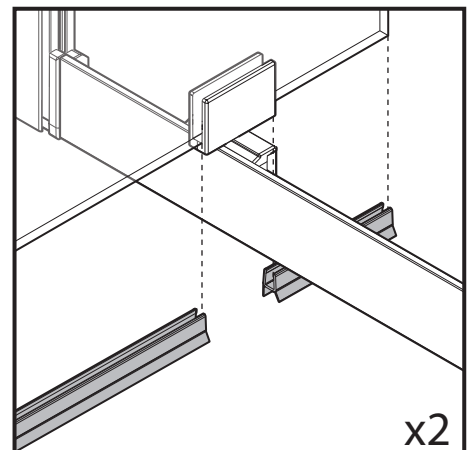
x4



8



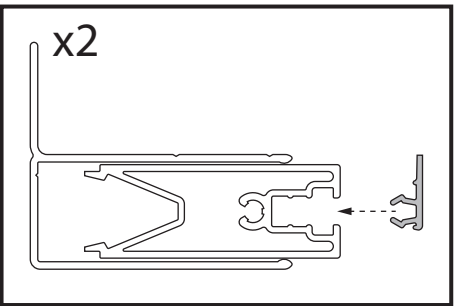
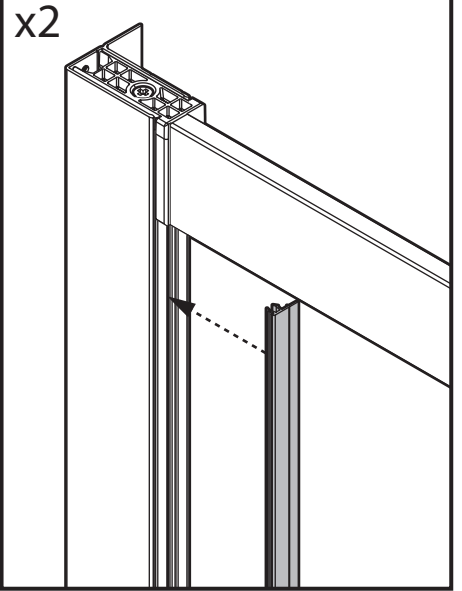
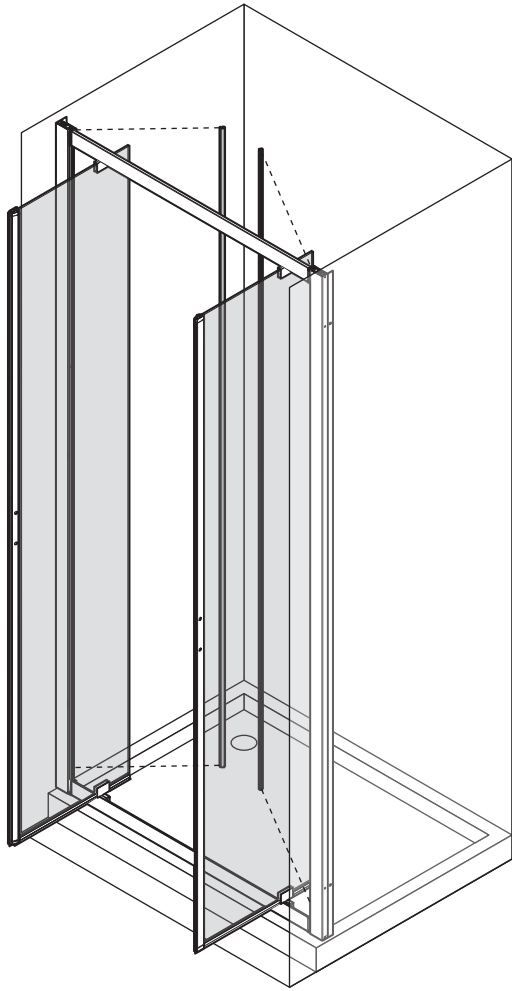
x2



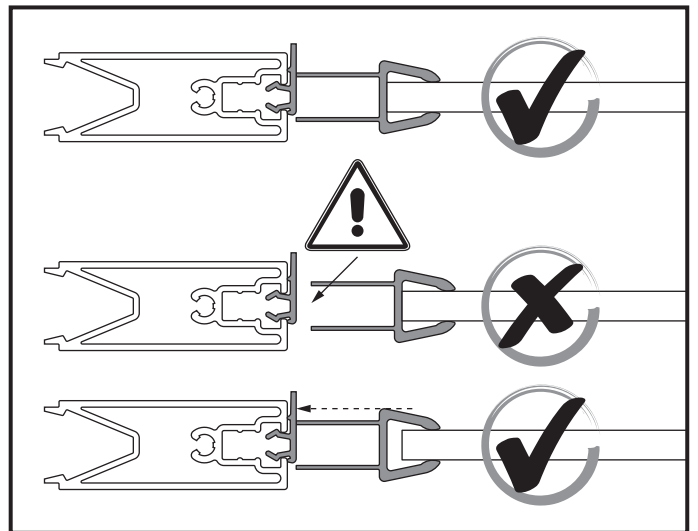
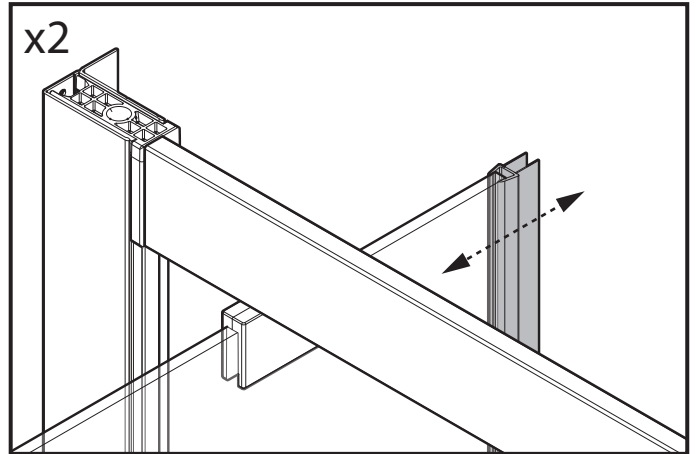
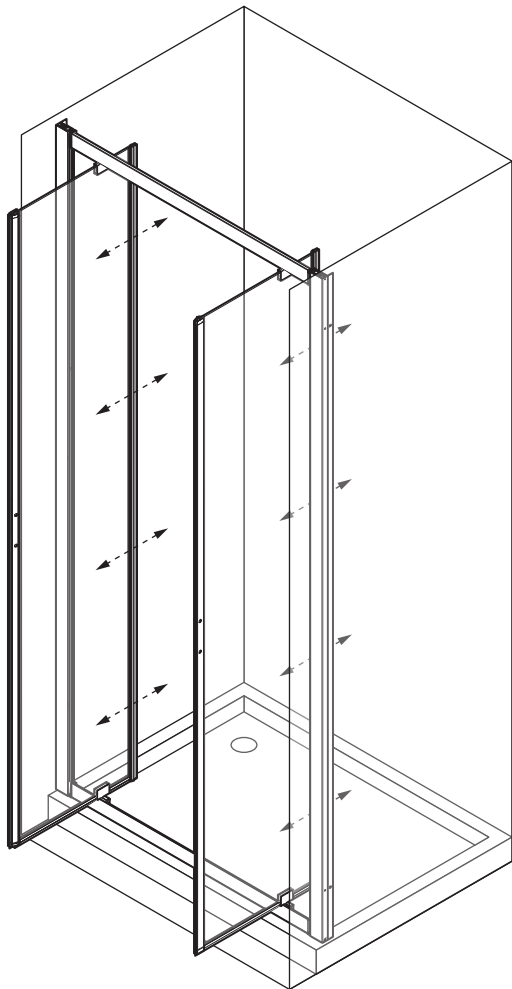
x2

6

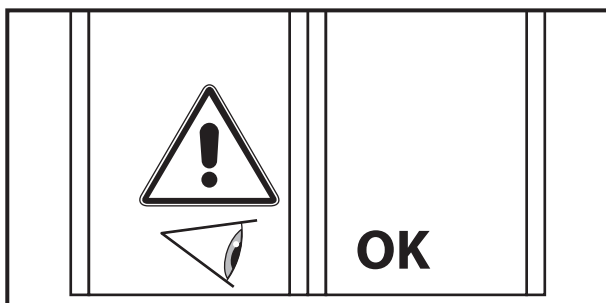
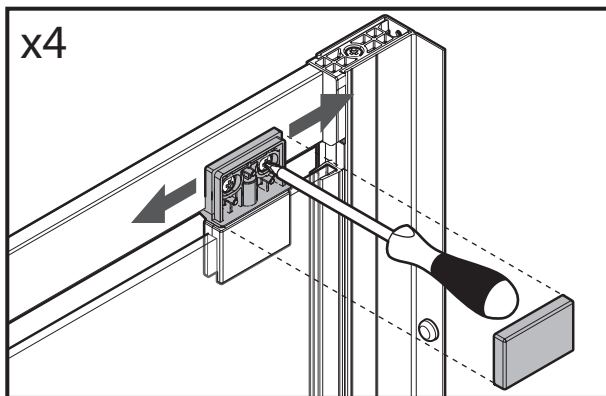
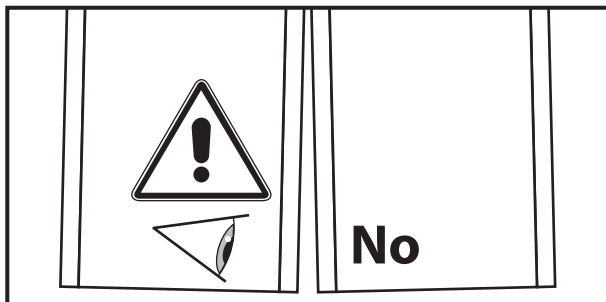
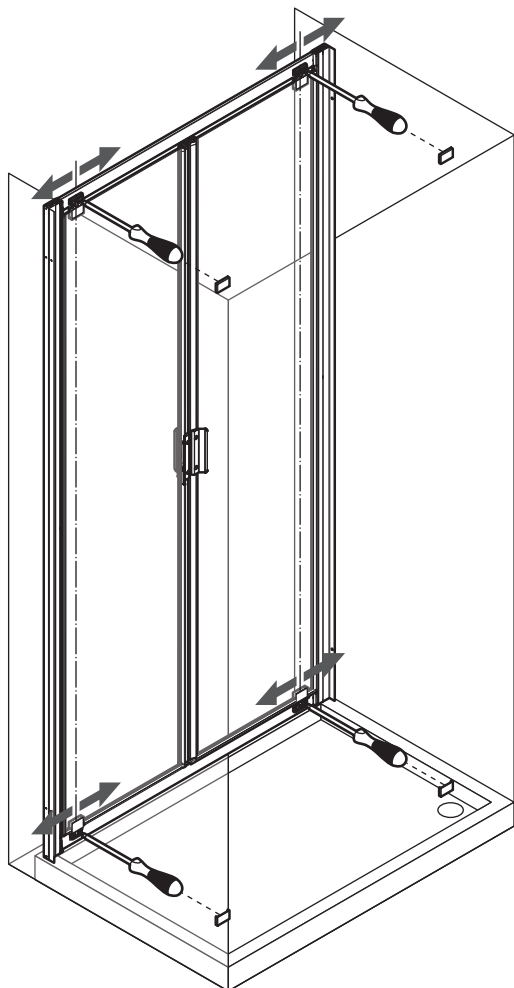
9



10



11



12

