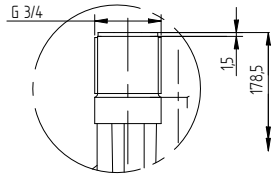


STUART TURNER LTD HENLEY-ON-THAMES.

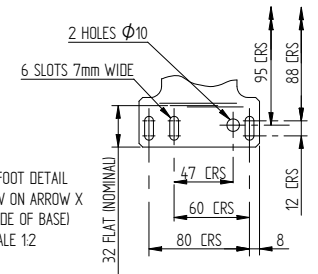
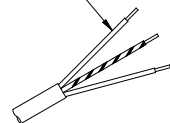
THIRD ANGLE PROJECTION

DIMENSIONS IN MILLIMETRES

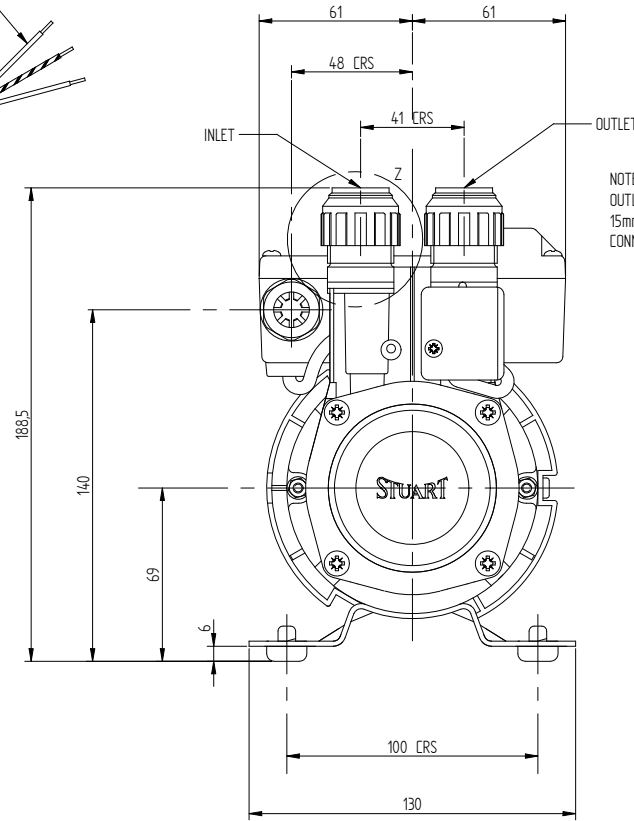
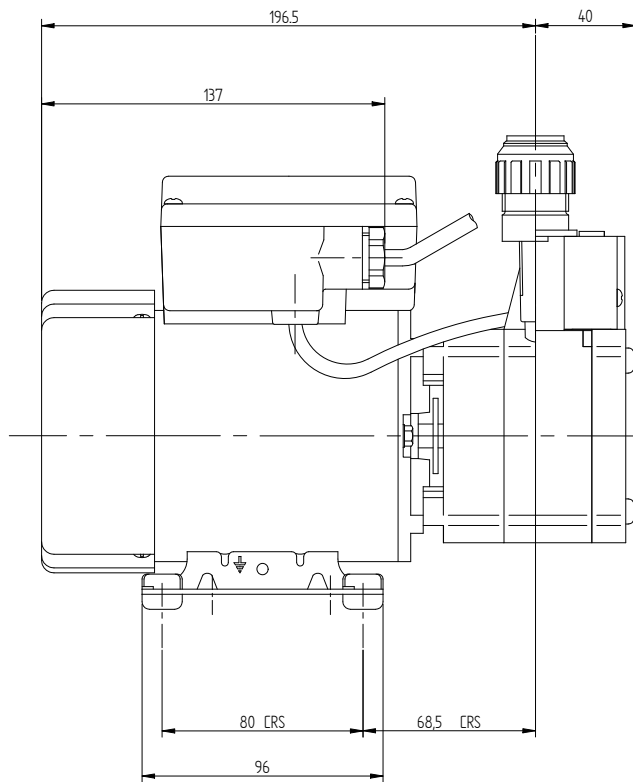


SCRAP SECTION Z
G 3/4 FLEXIBLE PIPE ADAPTOR OPTION

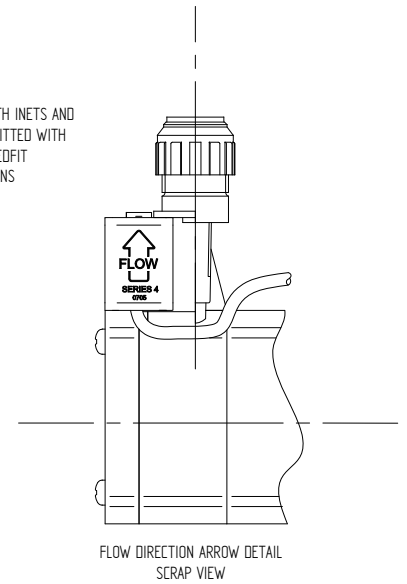
SUPPLY CABLE
15 METRES APPROX.



MOTOR FOOT DETAIL
SCRAP VIEW ON ARROW X
(UNDERSIDE OF BASE)
SCALE 12



NOTE: BOTH INETS AND
OUTLETS FITTED WITH
15mm SPEEDFIT
CONNECTIONS



FLOW DIRECTION ARROW DETAIL
SCRAP VIEW

If drawing is to be used for constructional purposes please contact Stuart Turner Ltd and request a certified document.

Stuart Turner Ltd reserves the right to amend specifications without notice.

Stuart Turner Ltd own the copyright within this document. The document may be printed for personal use only. The document must not be altered, reproduced or utilized in any way without written permission from Stuart Turner Ltd, Henley-on-Thames, Oxon, UK.

GENERAL ARRANGEMENT OF A SHOWERMATE 1.5 bar SINGLE

W41222

DATE: 29/04/08