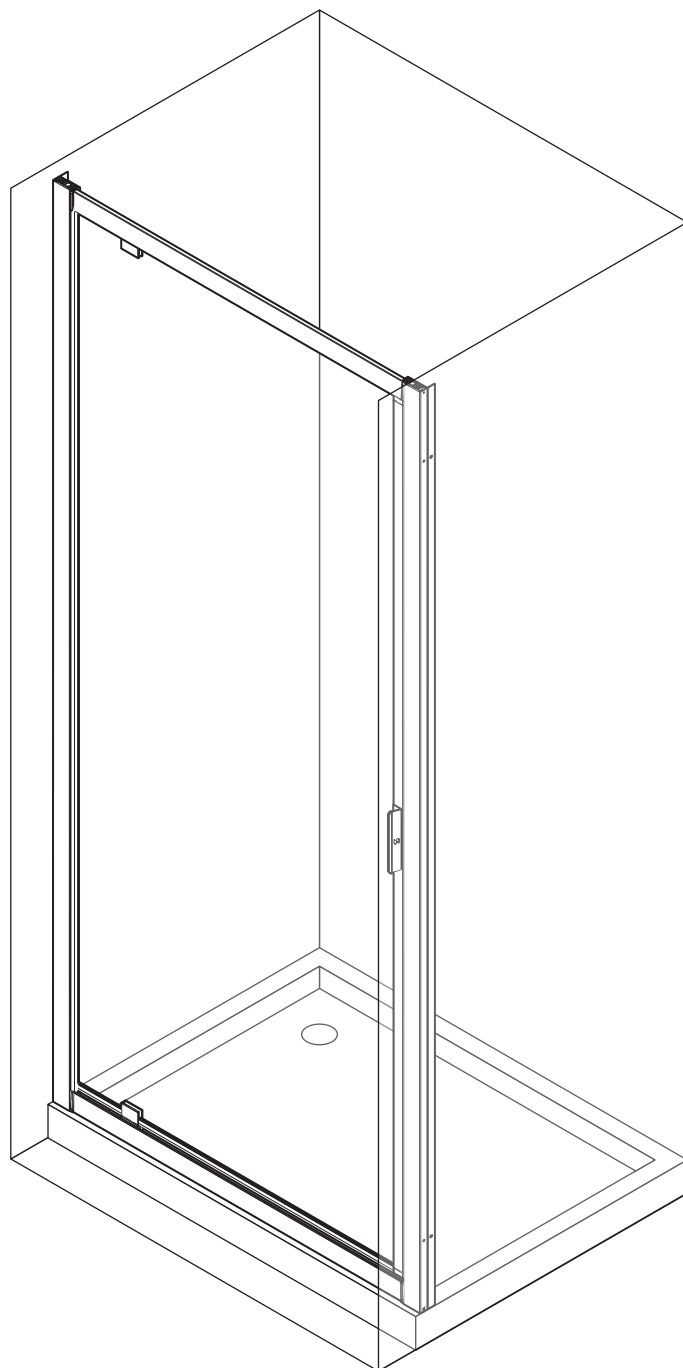
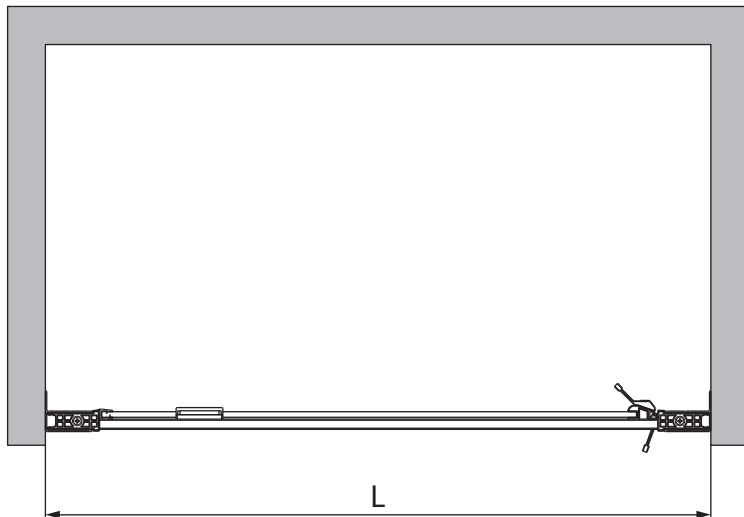
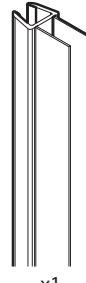
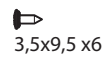
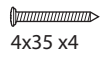
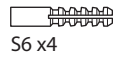
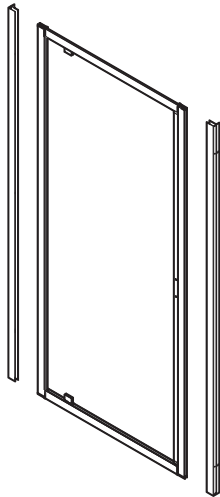
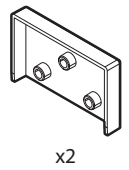
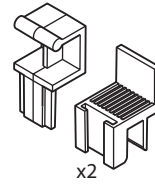
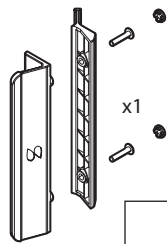
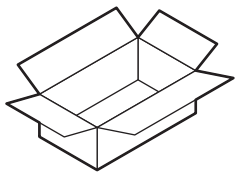
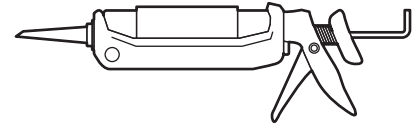
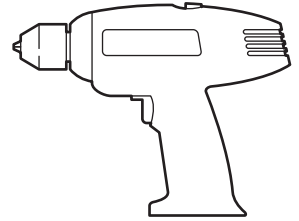
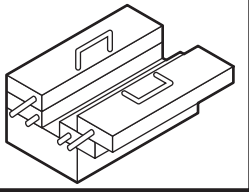
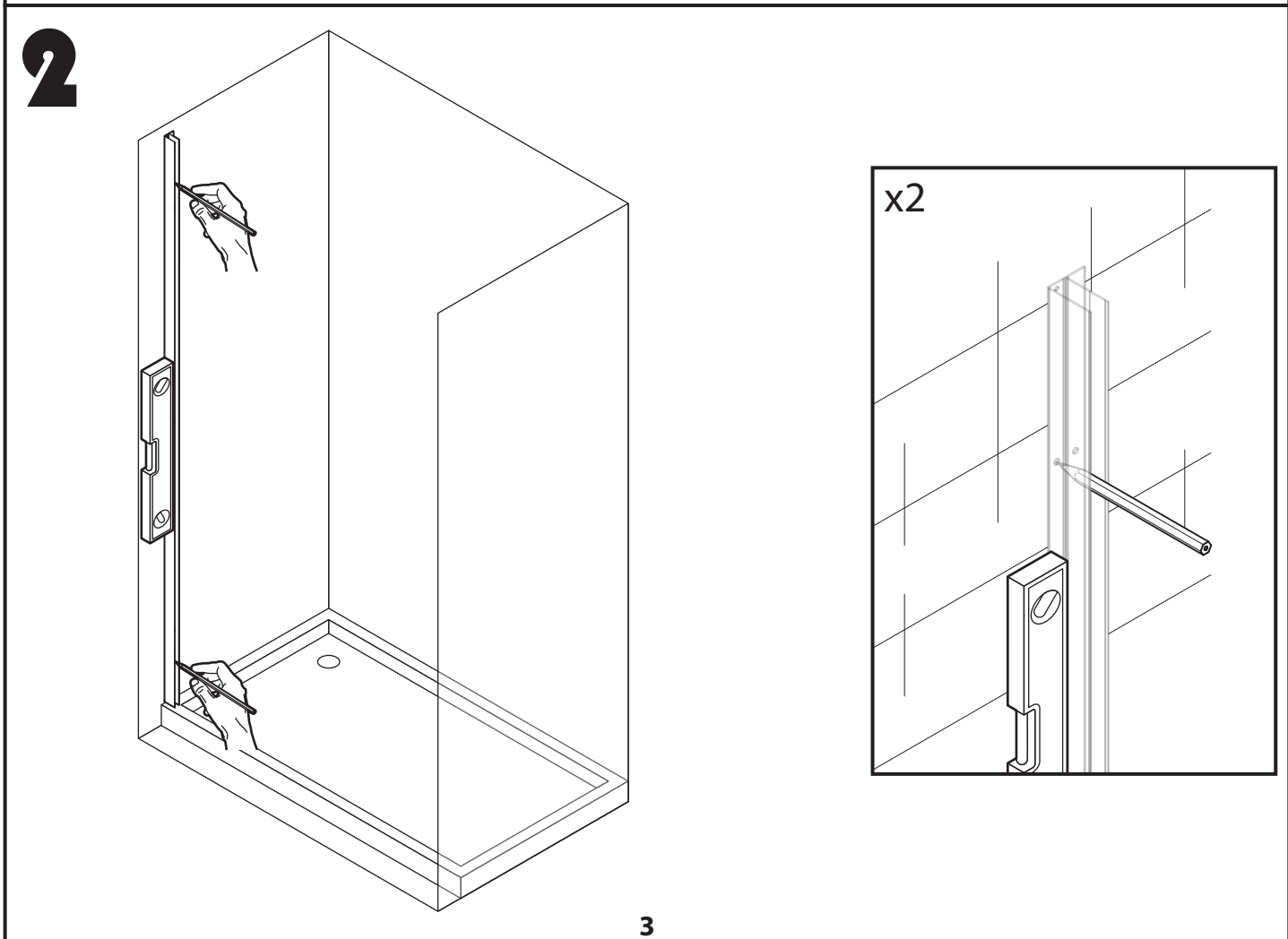
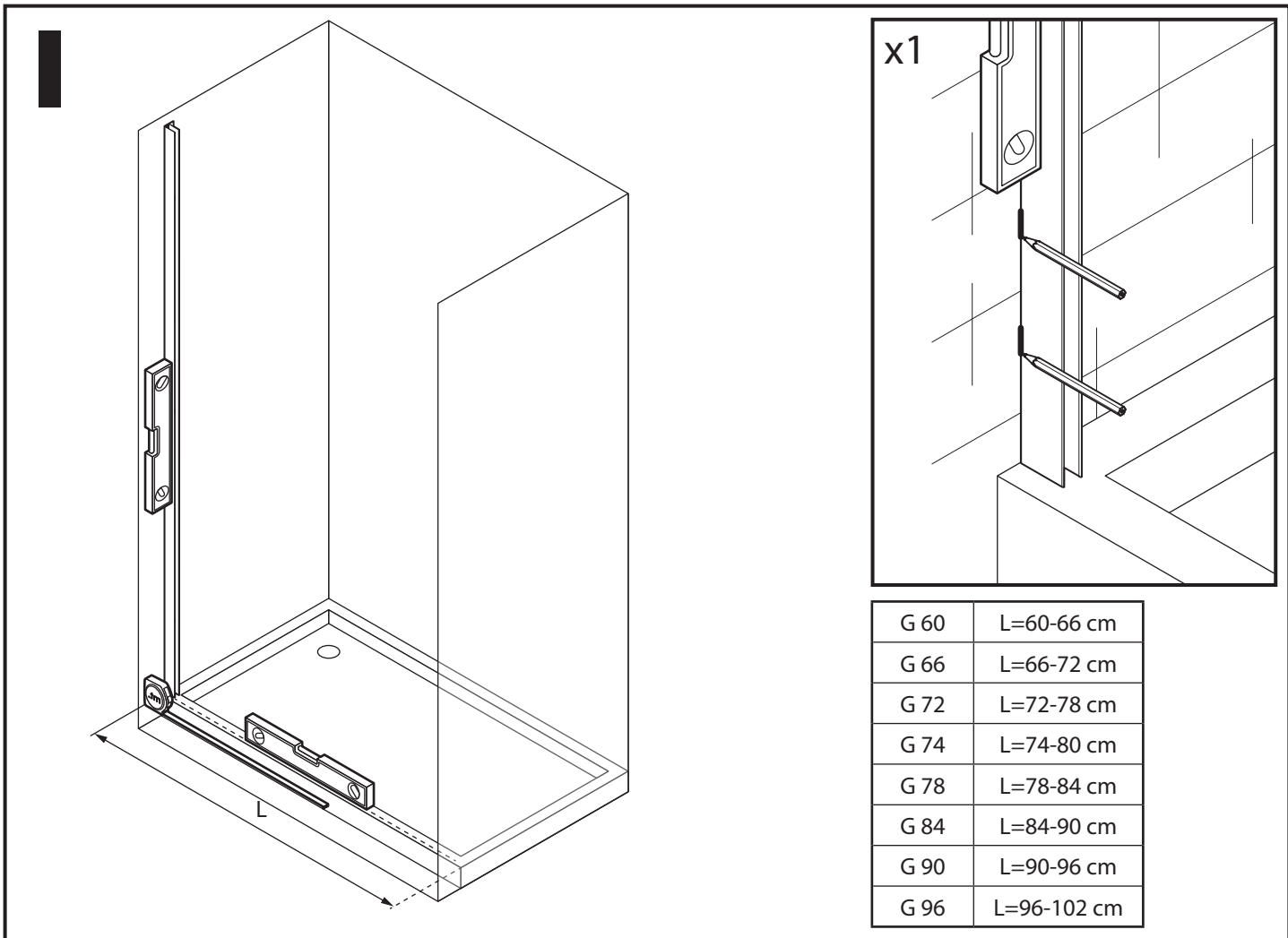


**G**

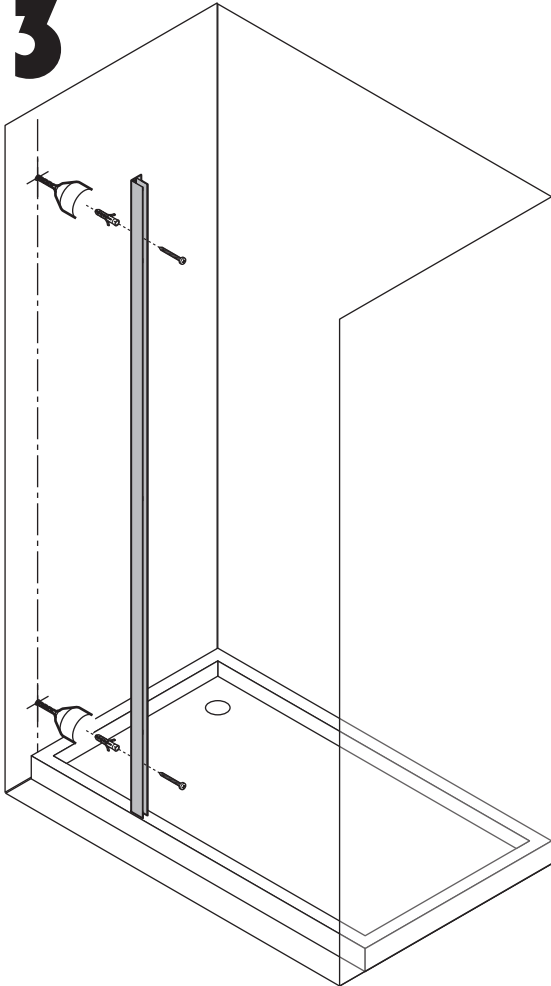


G 60	L=60-66 cm
G 66	L=66-72 cm
G 72	L=72-78 cm
G 74	L=74-80 cm
G 78	L=78-84 cm
G 84	L=84-90 cm
G 90	L=90-96 cm
G 96	L=96-102 cm



# 3



 4x35 x2

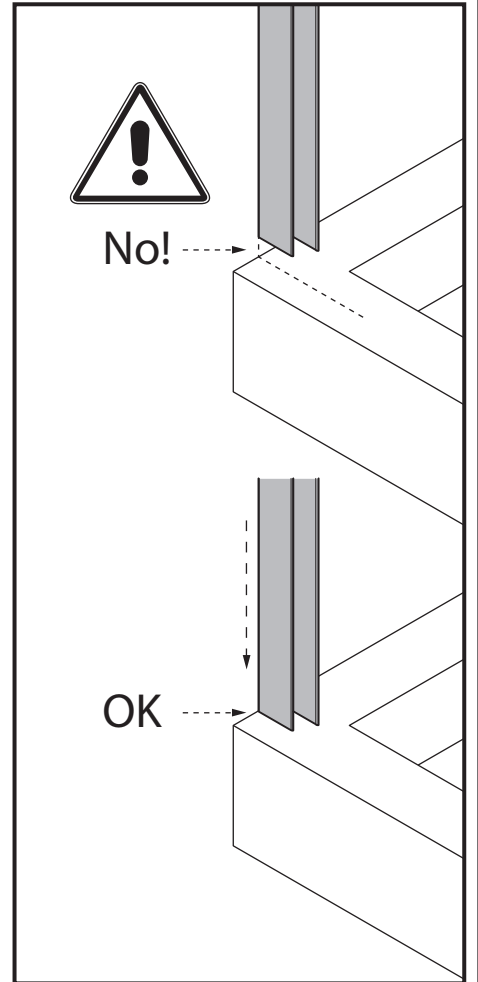
 S6 x2

  $\varnothing 6$  mm

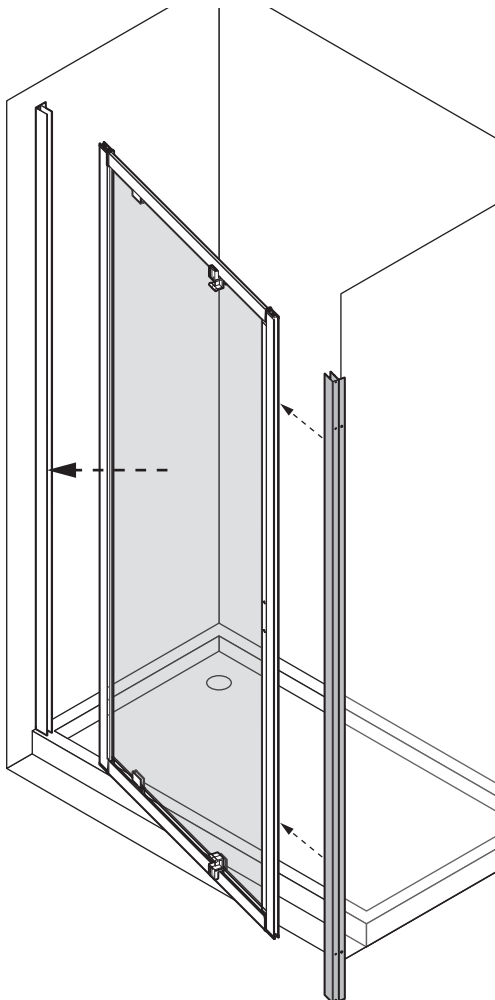


No!

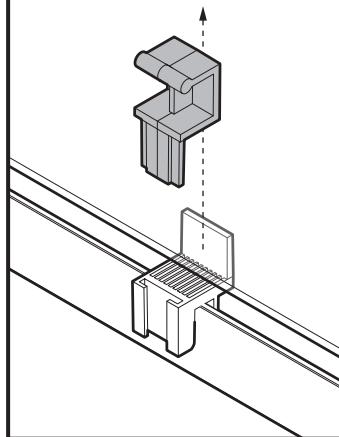
OK



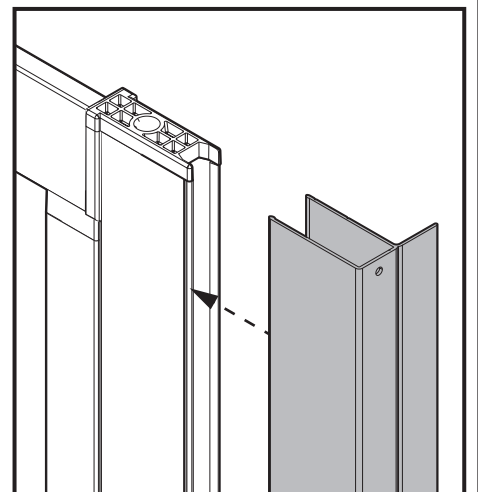
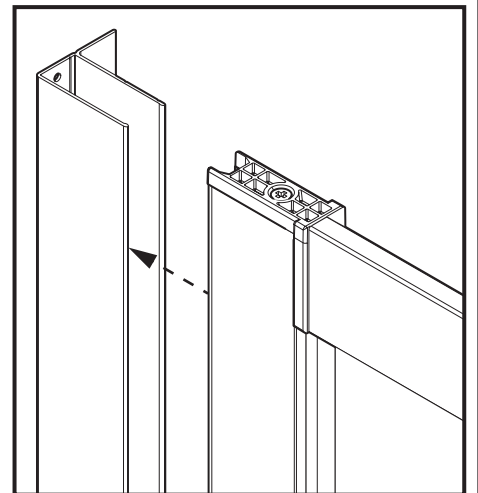
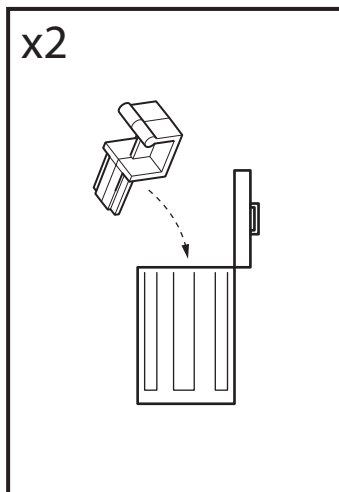
# 4



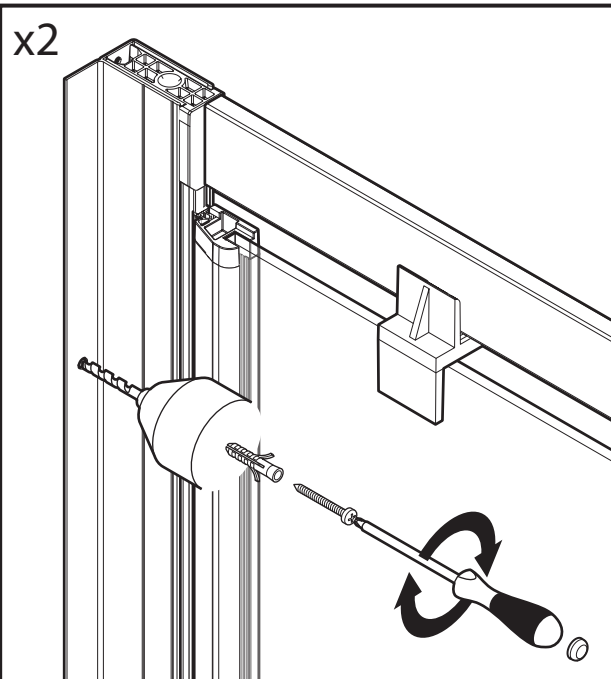
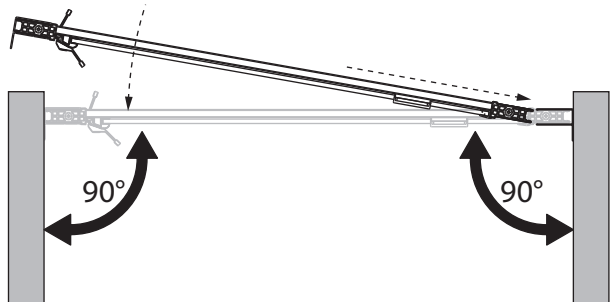
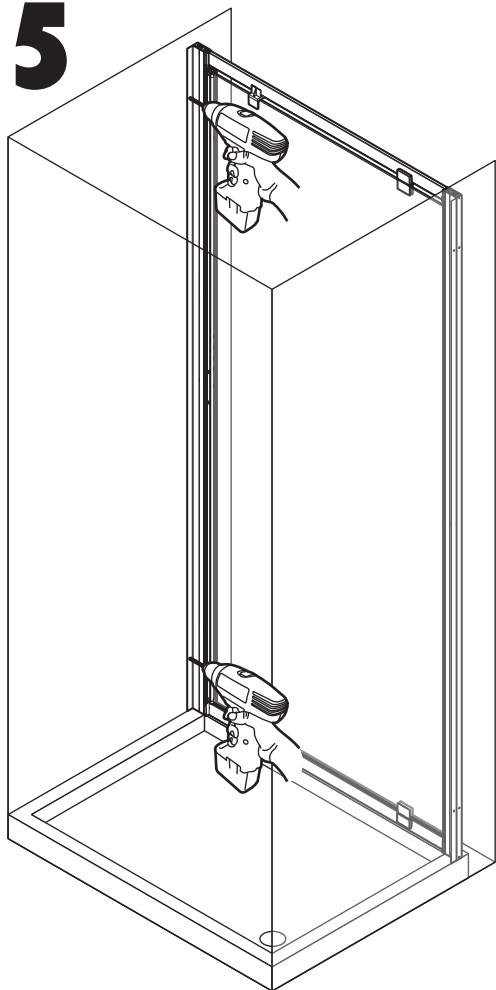
x2



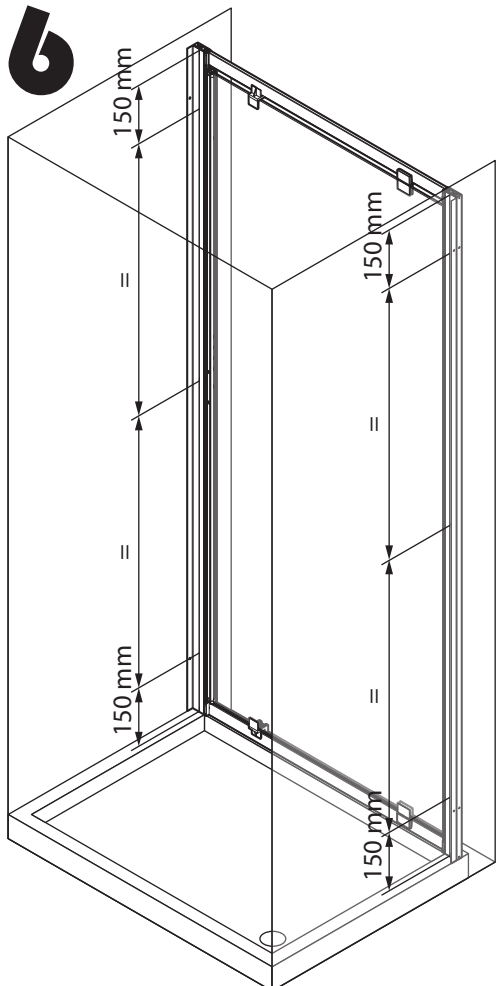
x2



5



6



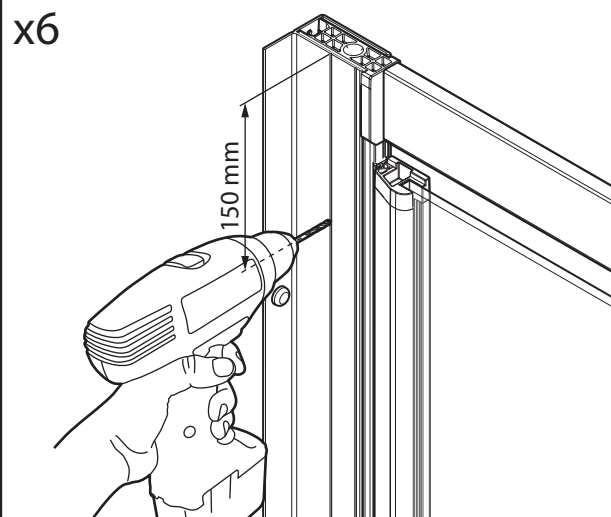
3,5x9,5 x6



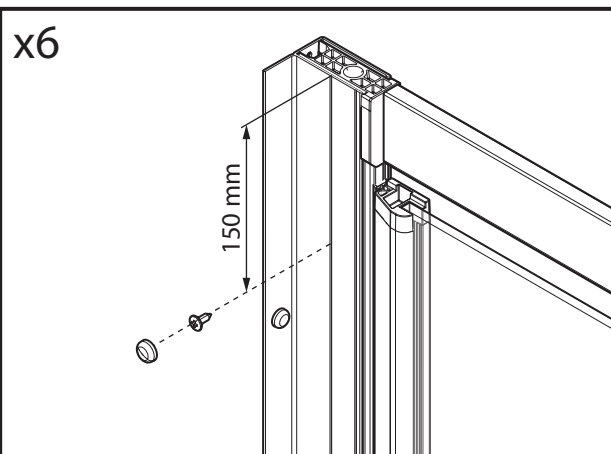
x6



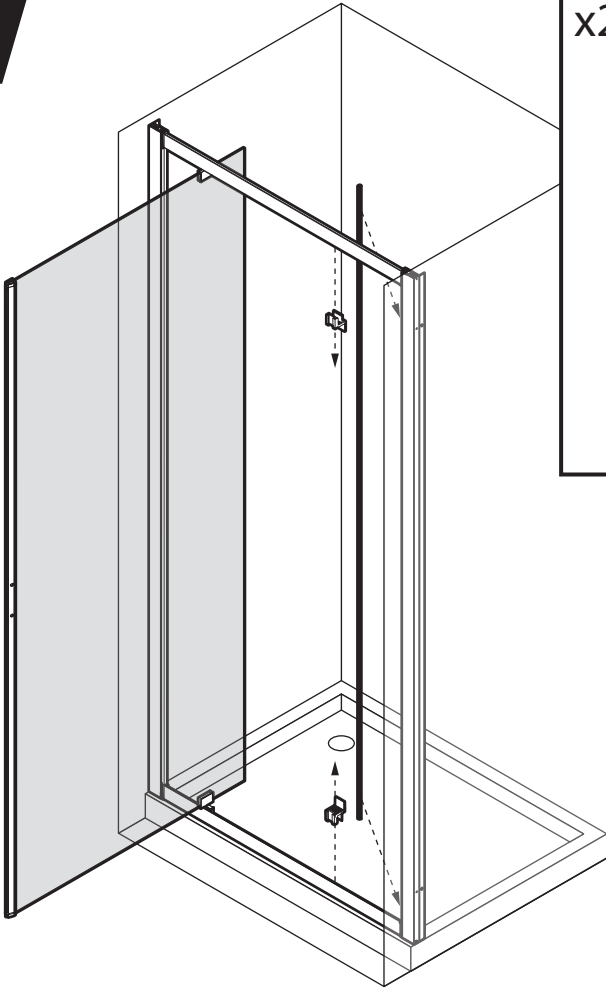
x6



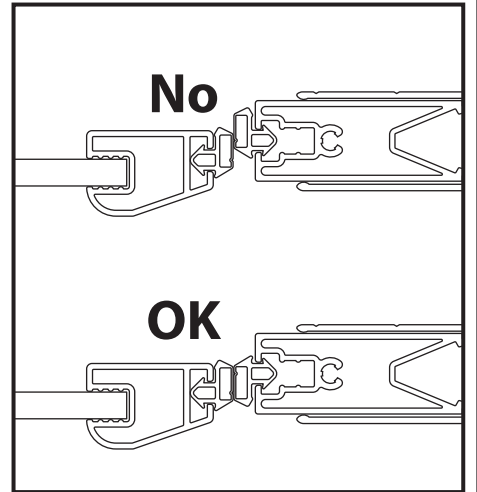
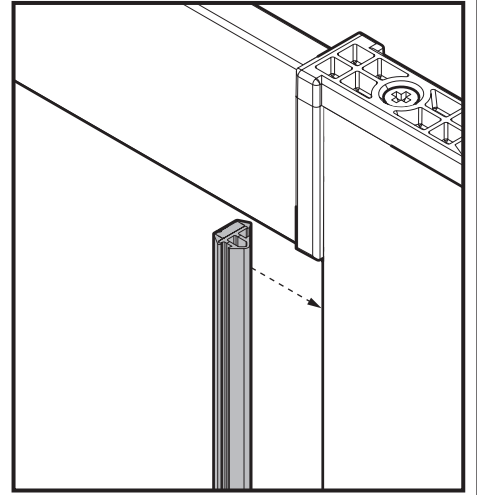
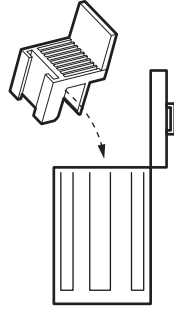
x6



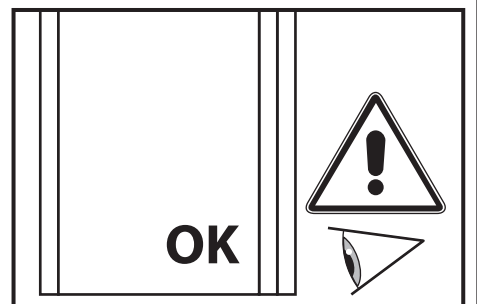
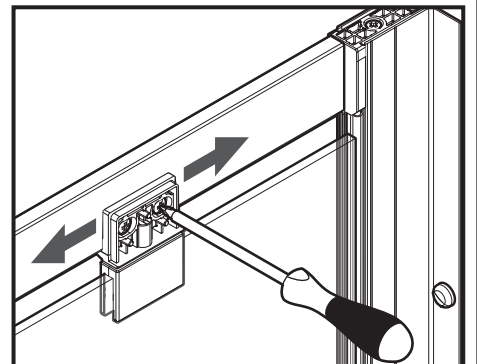
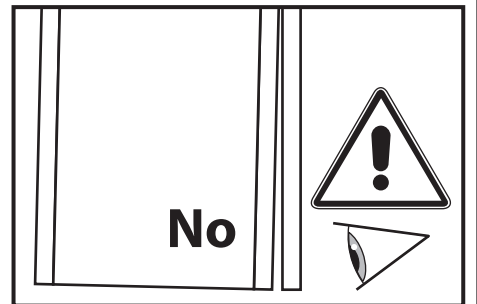
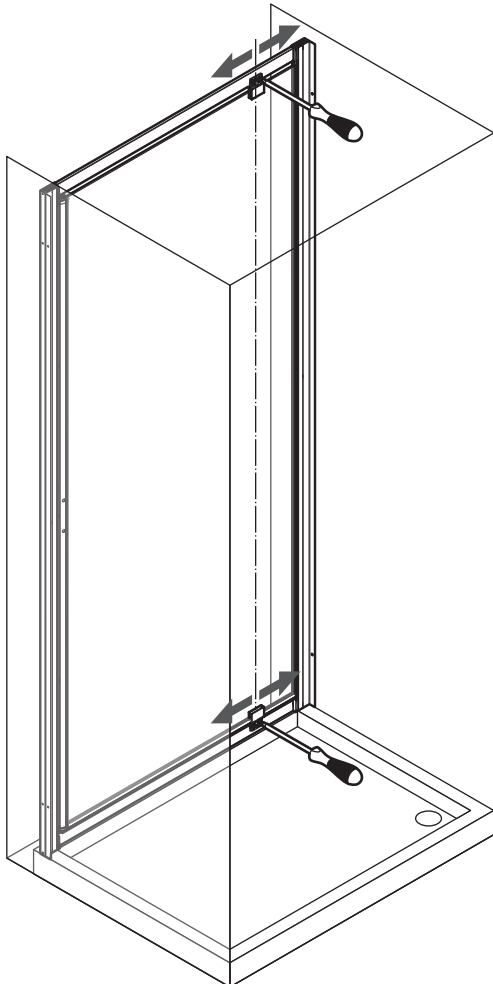
# 7



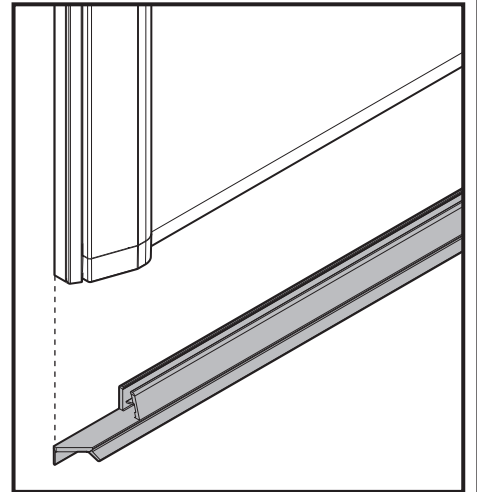
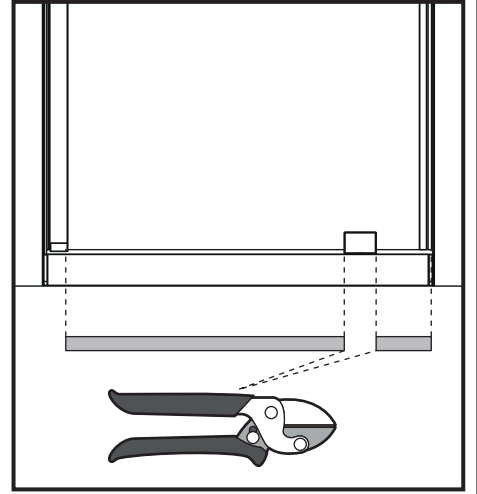
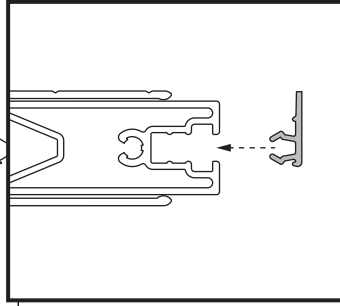
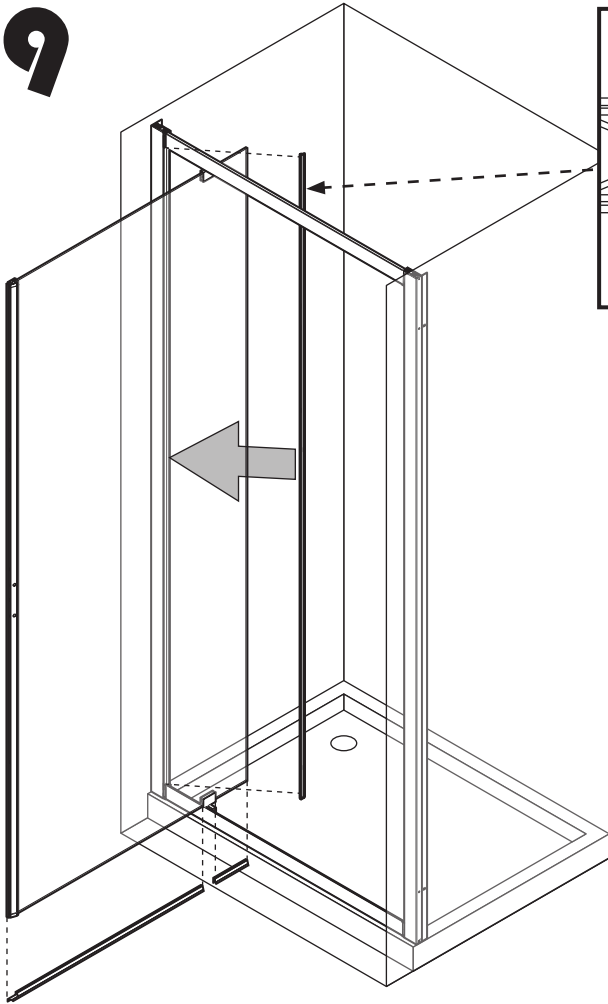
x2



# 8



9



10

