

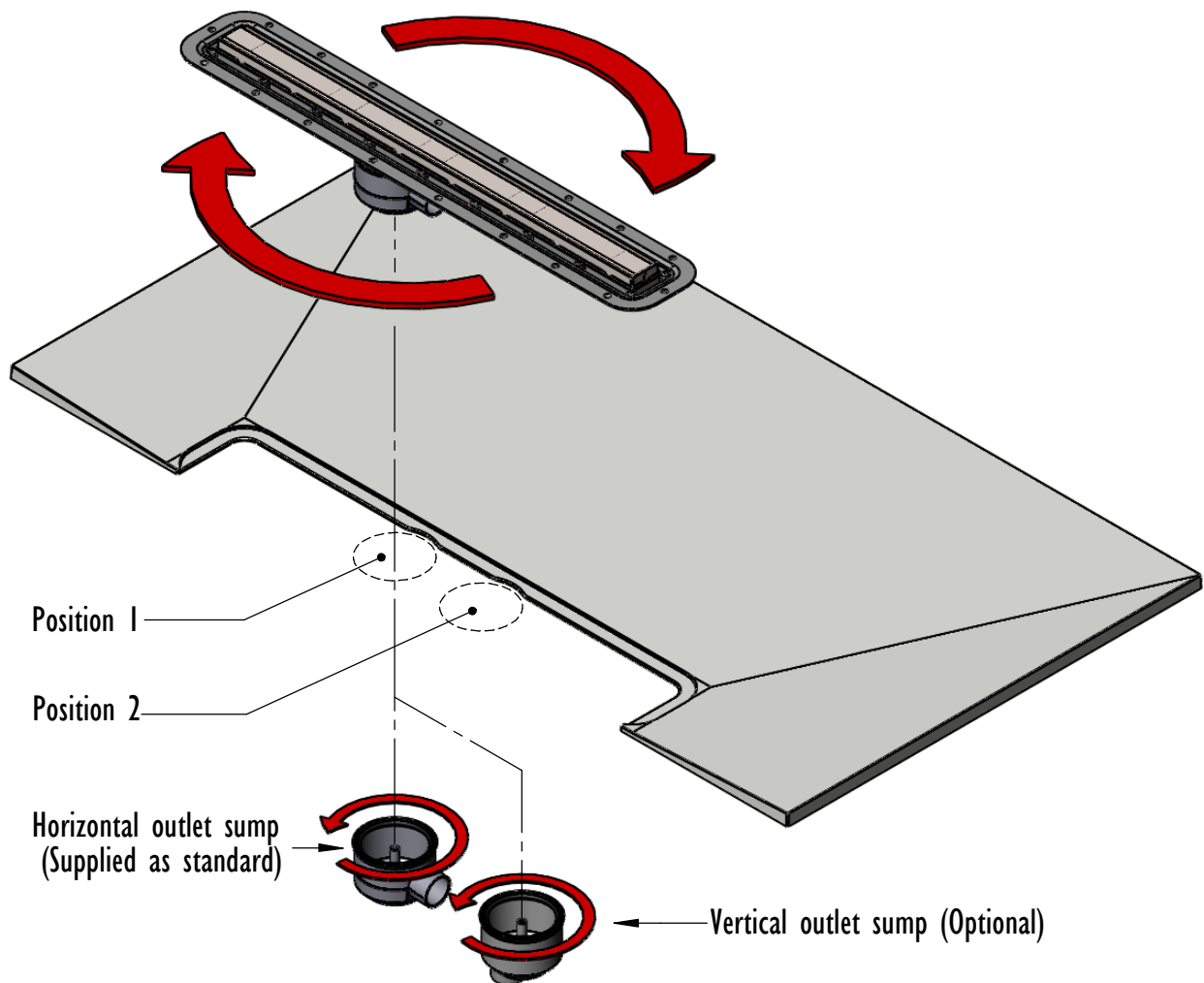
## Linear Dec Three Way Fall - Technical Data

Thickness	All 22mm in height	
Handing	Universal (not handed)	
Sizes Available	1500 x 800 AD3LI580	1800 x 800 AD3LI880
Waste outlet position	Off centre by 83mm - see drawings	
Trap Size	Impey Universal Drain System - 50mm water seal	
Waste options	Horizontal 43mm outlet, Vertical 43mm or 110mm outlet	
Features	Creates reliable and consistent gradient for wet floor showers. Easy installation, no special skills required. Fully removable trap for easy cleaning. Height adjustable tiling frame - catering for different thickness tiles. Drain outlet position is adjustable to avoid joists or other obstructions.	
Construction	Multi Layer GRP with solid core and durable Polyester Gel outer surface	
Installation	Only suitable for tiled floor finishes. Must be fully supported on the underside by minimum 18mm thickness plywood. Must be installed with a suitable waterproofing floor membrane (Impey Waterguard recommended).	
Supplied with	Linear Drain (600mm or 800mm depending on Dec size). Fixing screws and full installation guide. (Drain available in a choice of finishes)	
Flow rates	Approximately 40 l/min. Test conducted on 400mm drain with 10mm tile thickness (tested in accordance with BS 274-1 and 2:2002).	
Weight (approx.)	AD3LI580 23kg	AD3LI880 28kg

## Features & Options

### Position options

The drain channel can be rotated 180° to offer two options for the waste position.



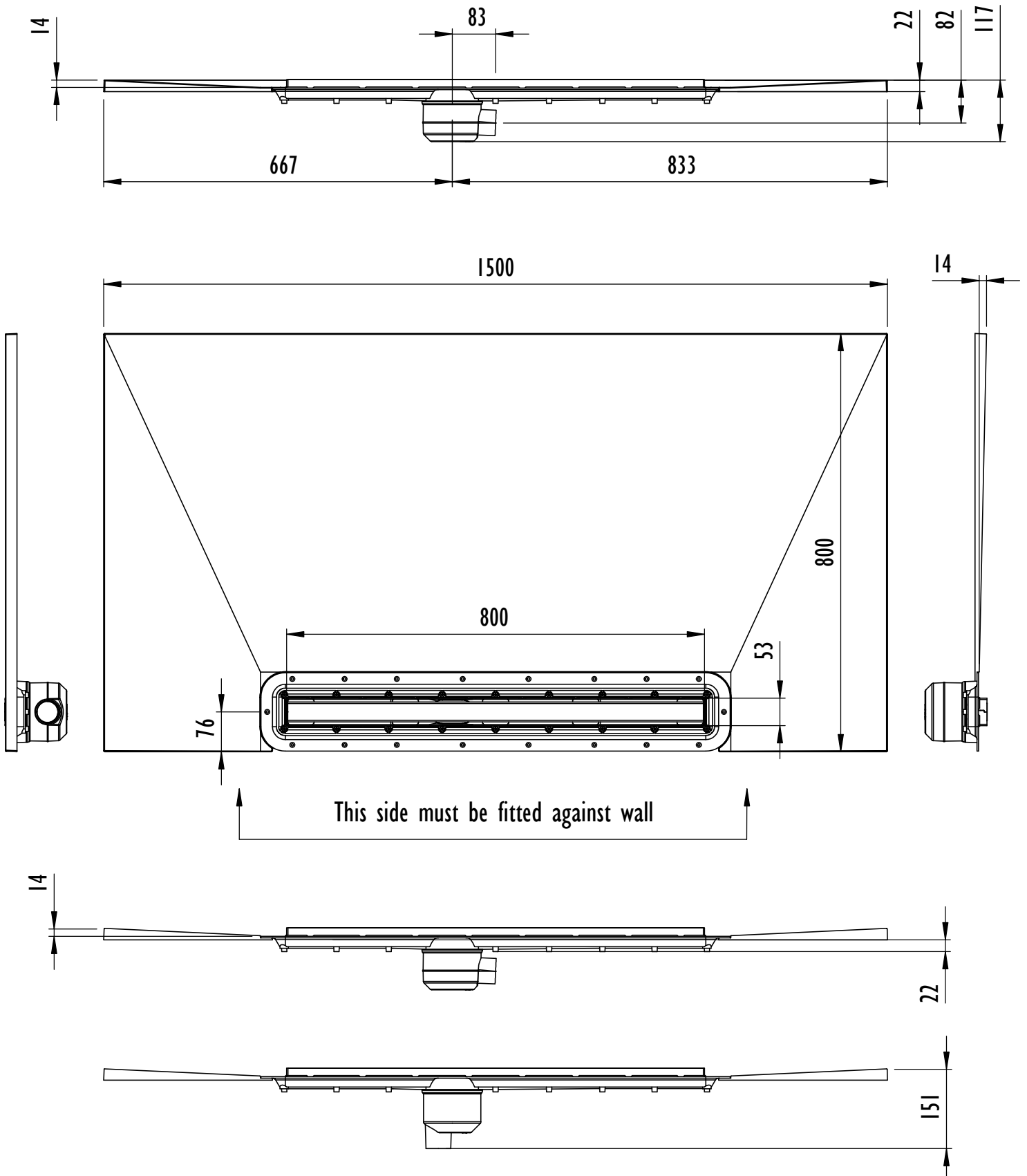
### Outlet options

Two outlets are available, horizontal or vertical. Both are fully rotatable to offer 360° waste positioning. The Vertical outlet is 27mm off centre to assist with alignment to existing pipework.

The Vertical outlet can also be pushed into a 110mm soil pipe socket.

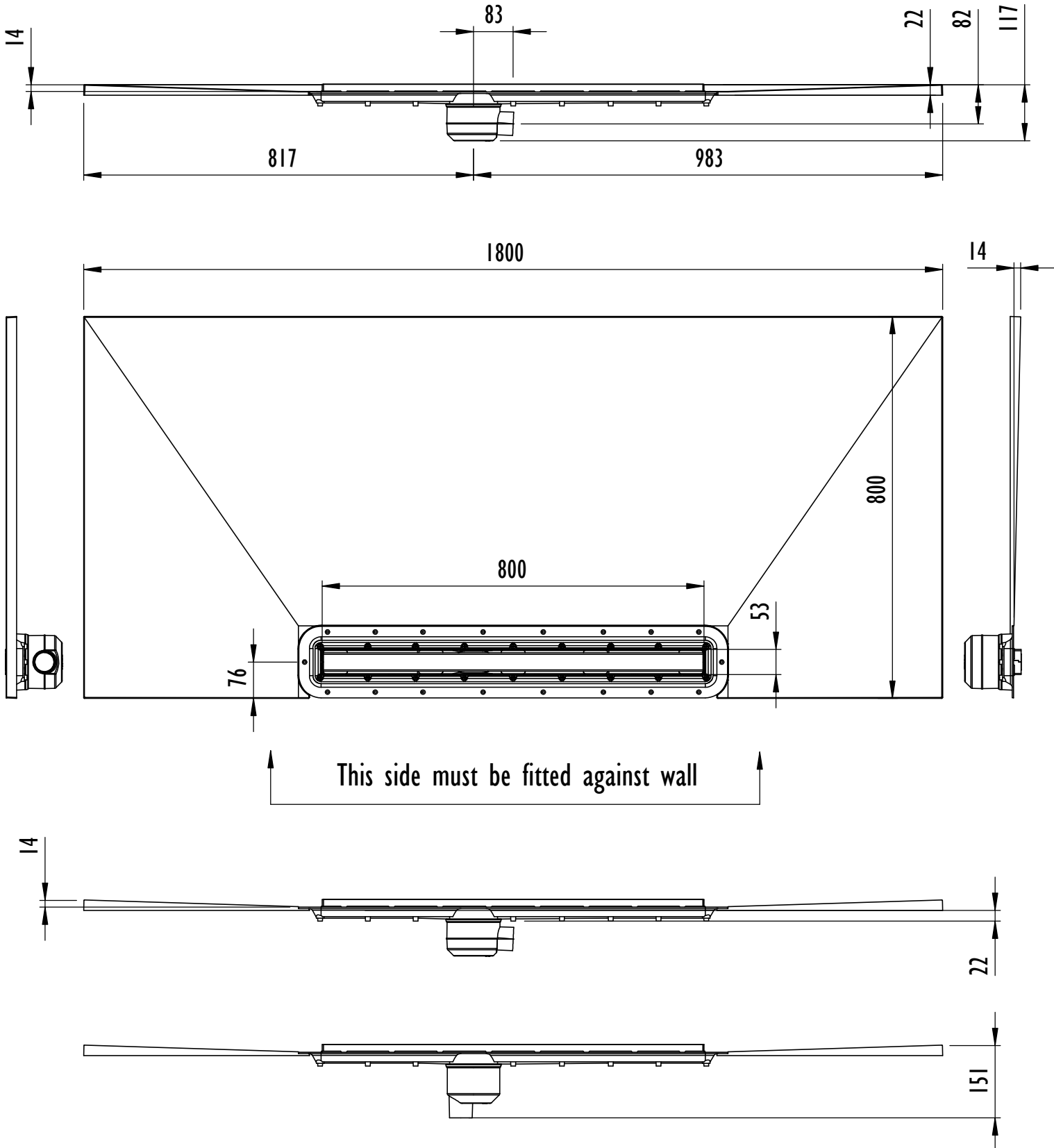
# impey

LNR 3WF 1500X800

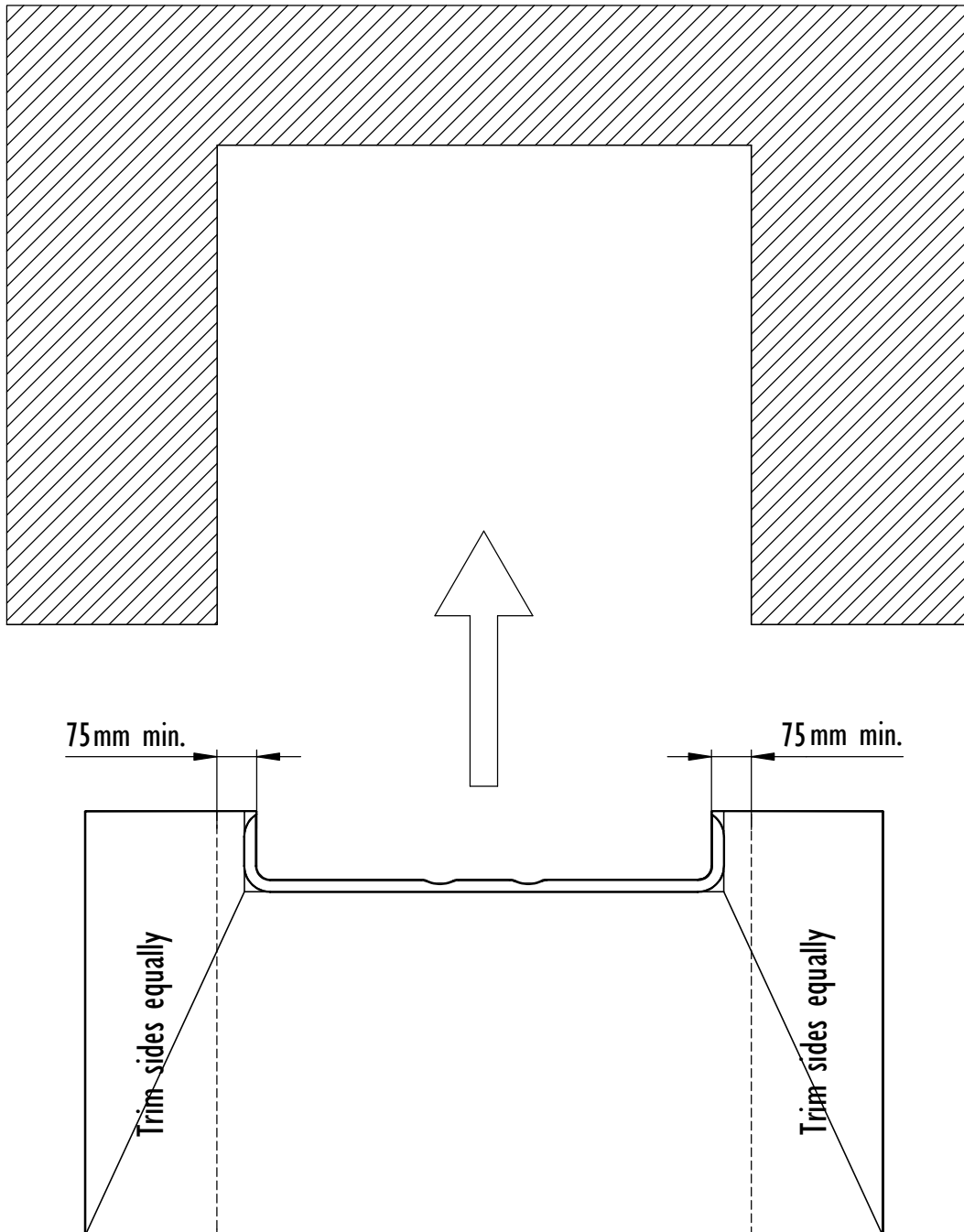


# impey

LNR 3WF 1800X800



## Installation into an alcove



The Dec can be trimmed to fit into an alcove.

Ensure the Dec is trimmed equally on both sides and no closer than 75mm from the drain edge.

**Note:** The Dec must only be cut to fit a wall to wall alcove installation, as shown.