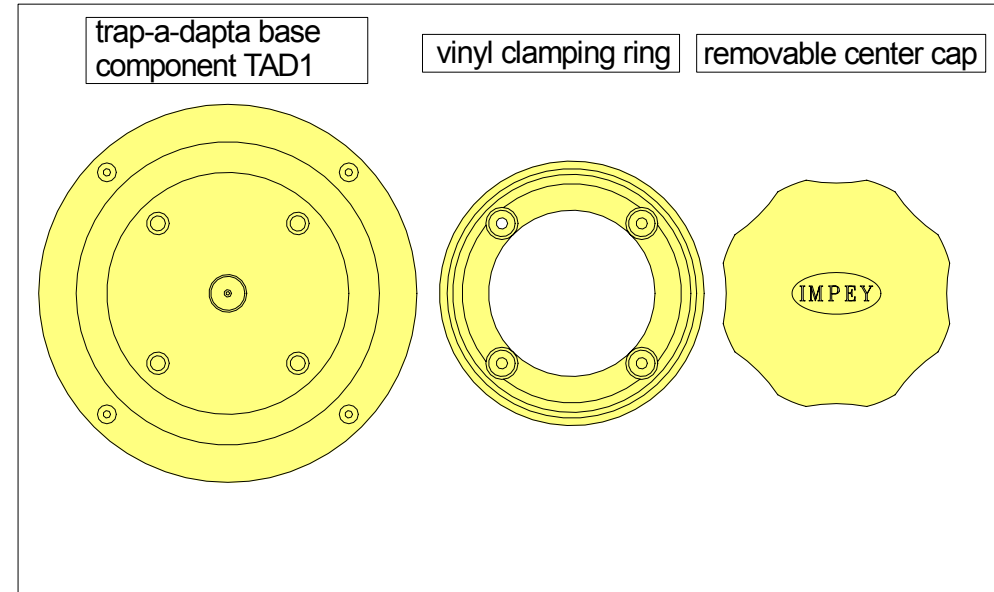
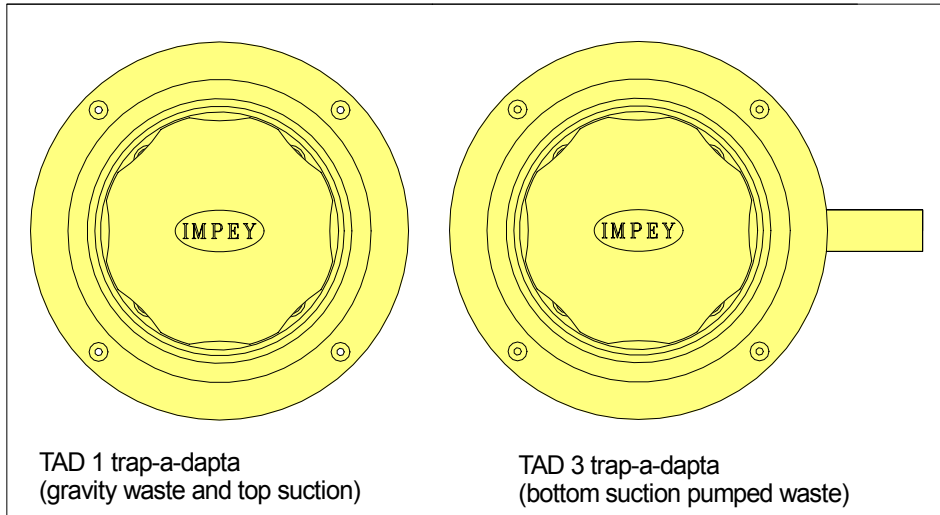


Installation guide for trap-a-dapta TAD1 and TAD3 for vinyl floors



Installation procedure for TAD1 and TAD3

(please see additional notes for top suction pumped waste installation)

TAD1 for vinyl floors with gravity waste

TAD3 for vinyl floors with bottom suction pumped waste

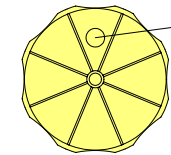
1. The installation of both TAD1 and TAD3 is very similar so we have described the installation of TAD1 only.
2. Remove section of flooring to accept waste trap and pipe work.
3. Fit waste pipe and trap in the desired position.
4. If you are fitting a level-dec wet floor former you will need to fit this next.
5. Drill a 50mm hole in the center of the base component (the position is marked with a small dimple).
6. Again if fitting a level-dec you will now need to fit the trap-a-dapta to the level-dec and connect the waste trap to the trap-a-dapta.
7. If you are forming the floor in the screed yourself you will need to fit the trap-a-dapta now and form the screed to the top edge of the trap-a-dapta leaving it flush with the finished screed.
8. With the center cap and clamping ring removed, lay the slip resistant vinyl over the floor in accordance with the manufacturers instructions.
9. Locate the center of the trap-a-dapta through the vinyl and cut a 114mm hole in it ready to accept the clamping ring.
10. Fit the clamping ring and secure it using the screws provided.
11. To complete the installation, replace the center cap and test.

Additional instructions for top suction pumped waste installations

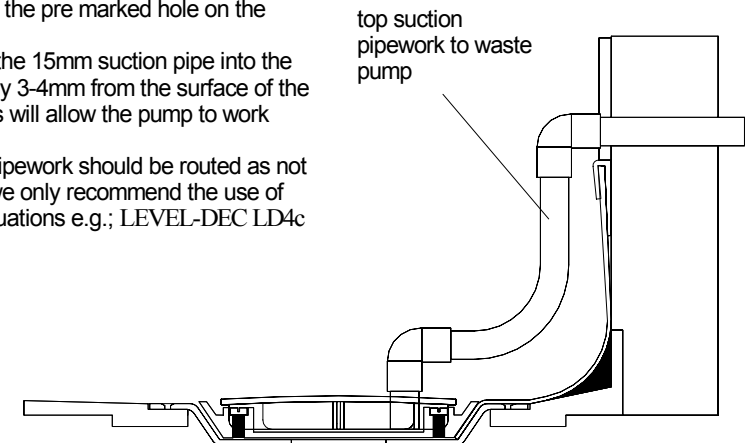
When gravity waste is not possible it may be necessary to use a shower waste pump. There are certain types of waste pump that can be fitted in a way described as top suction, this means the water is literally sucked from the surface of the floor or tray. A suitable pump for this is a WHALE gulper waste pump. The trap-a-dapta provides tidy way of finishing the top suction pipework on a wet floor installation.

1. Do not drill out a 50mm hole in the trap-a-dapta base component.
2. Fit the trap-a-dapta in the previously described manner.
3. Take the center cap and drill out the pre marked hole on the underside.
4. Refit the center cap and install the 15mm suction pipe into the drilled hole leaving it approximately 3-4mm from the surface of the trap-a-dapta base component, this will allow the pump to work efficiently.
5. **IMPORTANT** The top suction pipework should be routed as not to cause a trip hazard, therefore we only recommend the use of top suction for corner drainage situations e.g.; LEVEL-DEC LD4c and LD5c.

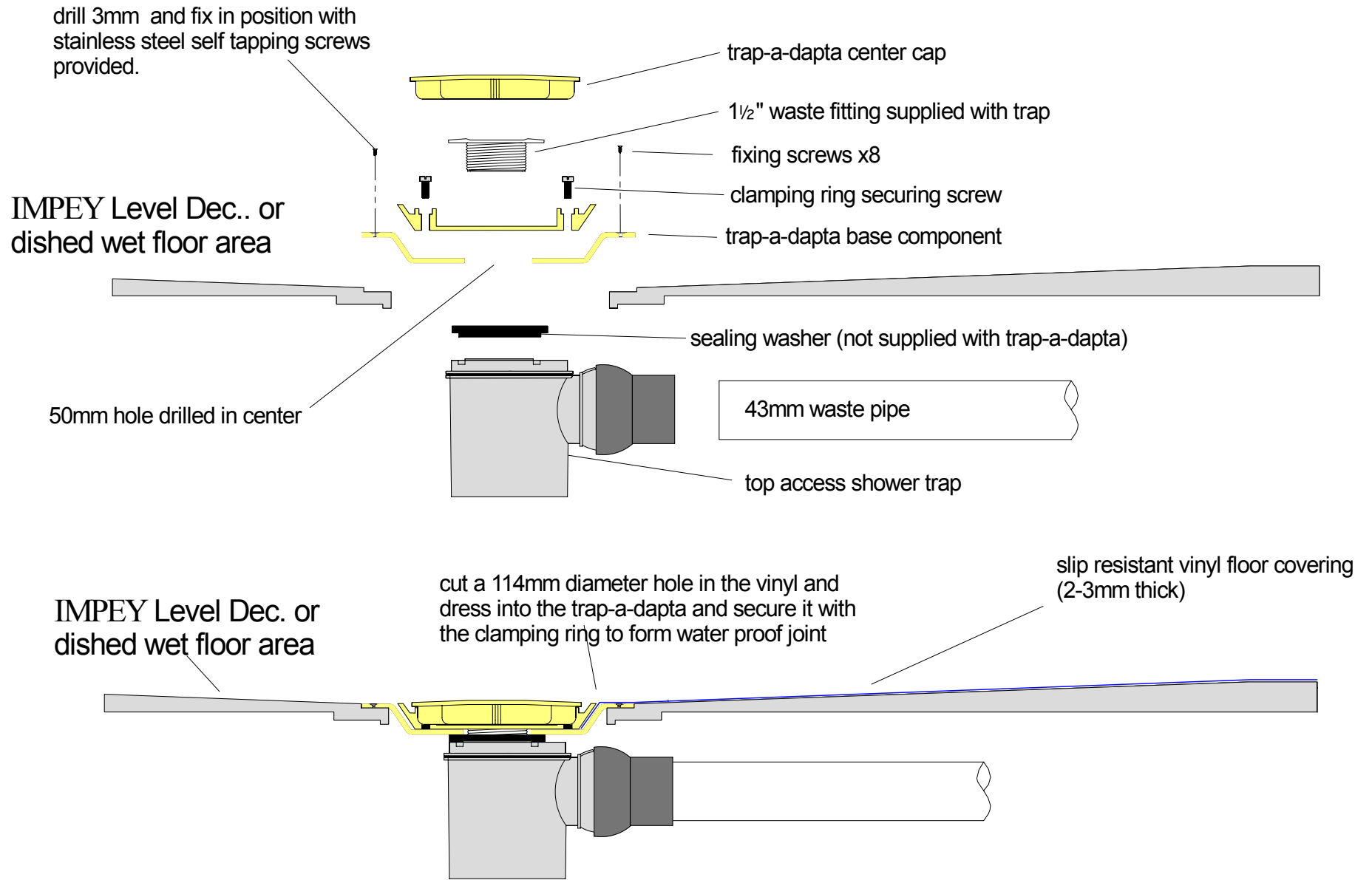
underside of centre cap



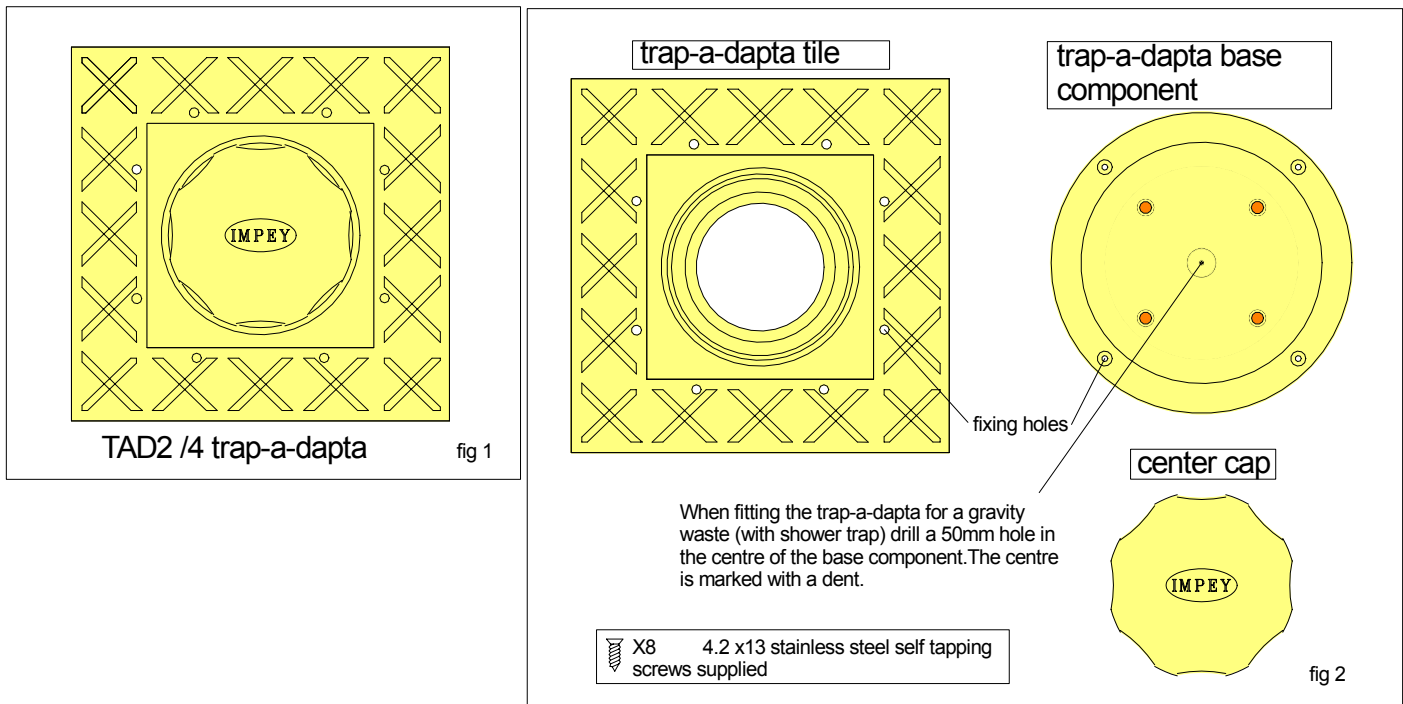
15mm knockout hole only for use with top suction waste pumps



Installation guide for trap-a-dapta TAD1 for vinyl floors



Installation guide for trap-a-dapta TAD2 for tiled floors



Installation procedure for TAD 2/4

Please read these instructions in conjunction with the attached illustration.

TAD2 tiled floors with gravity drain.

TAD4 tiled floors with pumped waste.

1. The installation of both TAD 2 and TAD 4 is very similar so we have described the installation of TAD2 only.
2. Remove section of floor to accept waste trap.
3. Fit waste pipe and trap in the desired position.
4. If you are fitting a leveldec wet floor former you will need to fit this next
5. Drill a 50mm hole in the trap-a-dapta base to accept the trap (the centre is marked with a dent).
6. Again if you are using a leveldec you will need to fit the trap-a-dapta to the leveldec and connect the waste trap to the trap-a-dapta.
7. If you are forming your own dished wet floor shower you will need to do this next.
8. **IMPORTANT** When forming the floor ensure that its finished level is flush with the top edge of the trap-a-dapta base component.
9. Apply solvent cement to both faces of base component and tile component and bring together, also drill and fix the tile into position using the screws provided.
10. Fix floor tiles using a suitable adhesive and to the appropriate bed thickness, this will depend on the thickness of the tile being used. This is because the tiles need to finish flush with the top surface of the trap-a-dapta tile.
11. To complete the installation replace the centre cap and test.

(If you are using an IMPEY LEVEL-DEC please note that we only recommend LEVEL-DEC, LD4c, LD5c, LD6, LD7, LD8, and LD9 for tiled floor installations)

Installation guide for trap-a-dapta TAD2 for tiled floors

